



We chain the world



Product Catalogue



OverveldTechniek Agriculture



DONGHUA
55VD

Donghua

The Hangzhou Donghua Chain Group is one of the biggest chain producers in the world and started its European activity in 2009. Since the early ninety's Donghua has been producing and branding complete chains for well known European chain manufacturers. To supply its European customers direct, Donghua decided to develop local facilities in the European market. For this reason warehouses with substantial stocks in Alkmaar (The Netherlands), Leverkusen (Germany), Wednesfield (UK) and Budapest (Hungary) have been established.



FRANS MORSKATE
is managing director of
Donghua International BV.
He has decades of
experience in the chain industry.

ERIK DIEPENHORST
is sales director of
Donghua International BV.

XUAN BI HUA
chairman and owner of
Donghua Chain Group Co., LTD.,
has decided to invest in Europe.

CHRISTIAN KOLETZKI
is managing director of
Donghua Industries Europe GmbH.
He knows the European
marketplace at first hand.

One of the core businesses of The Hangzhou Donghua Chain Group is the world of agricultural machinery. Donghua produces the biggest range of roller chain drives for the global agricultural market. The agricultural drives division of Donghua is located in Alkmaar The Netherlands. The complete product range is stocked in large quantities to react promptly to market demand.

A competence centre has been established in Alkmaar which includes a complete laboratory with all the equipment for material analysis and dimensional checks to support our customers with their quality assurance and product developments.

Donghua Chain Group:

- Xinghua
- Linping
- Hangzhou

● Donghua Transmission Co.,Ltd.

● Donghua Subsidiaries

● Donghua Partners



Headquarter and production plants



Liping Headquarters

Liping Headquarters

Head office Donghua group

Production of:

- Automotive chains
- Conveyor chains



Liping Branch North

Production of:

- Transmission chains
- Rotary chains
- Oil field chains
- Light transport chains



Liping Branch South

Production of:

- Leaf chains
- Escalator chains
- Agricultural chains



Xinghua Donghua Gear Co., LTD.

Production of:

- Gears
- Sprockets

Total range in stock



Our warehouses are filled with products for all industrial markets. The wide range of miscellaneous chains and parts we hold in stock means we can offer very short lead times on all chain combinations for combine harvesters like complete feeder chains and grain elevator chains. All transmission chains are also available and our partner network is there to supply you with the know how and advice you are looking for.

Competence centre

Donghua International BV is specialized towards engineering, construction, assembly of specials, cutting, refining of intermediate products, supplying chain systems, warehousing, logistics and technical support. Following our Chinese heritage we are always very flexible and available to listen to our customers needs. Top engineers and product specialists are supporting on a daily basis our original equipment manufacturers and partners in the replacement market.

Our workshops offer you:

- Engineering capacity (production drawings, 3D drawings and constructions)
- Transmission drive calculations (bearing area-, fatigue-, breaking load-, and life time calculations)
- Assembly and pre-assembly
- Mounting of attachments, extended pins, paddles, slats and customer specific components
- Fit to shaft bores for sprockets according to customer specifications
- Special lubricants or re-lubrication according to customer specifications
- Putting together Kits for KAN-Ban planning and production
- Production of official certificates and technical reports including matched length measurements and tolerances



Micro hardness tester



Spectral material analyser



Rockwell hardness tester



Donghua International, The Netherlands
Competence centre industrial and agricultural chains

Competence centre

Not a day will pass by at Donghua without any innovation. That's why an important part of our production is focused on making Special Products. The more complicated the application, the more we like to meet the challenge. In this way we create a unique cooperation with our customers making completely new products in a joint development.

In order to make this work Donghua, has available:

- Their own research and development department
- Their own hardening facilities and surface treatment improving techniques
- Length measuring equipment to reach and deliver roller chains within narrow tolerances matched to run in a pair
- Wide range of different materials and alloys available
- Many different surface treatments
- Development and production of sprockets and gears
- Development and production of heavy and reinforced products
- Combinations of different shaft-hub connections



Polishing specimen



Pin hardness measuring



Dimensional control

The Donghua agricultural chain program



Our agricultural chain program is throughout the world a highly sophisticated range of miscellaneous products. For harvesting and conveying of agricultural products, Donghua has developed the most extensive range available from any equipment manufacturer over the last 20 years.

Harvesting chains

Feeder chains, Elevator chains, Gathering chains, Transmission chains and Conveying chains. All the chains are designed to handle different products like Coffee, Corn, Grain, Grape, Rice, Sugar cane, Sunflower etc.

Chains for Balers

Round baler chains, Reinforced chains, Extended wear life chains and special chains.

Special agricultural machinery

All special chains for conveying serials in silo's, potatoes harvesters, handling equipment etc.



The Donghua agricultural chain program



Corn header chain

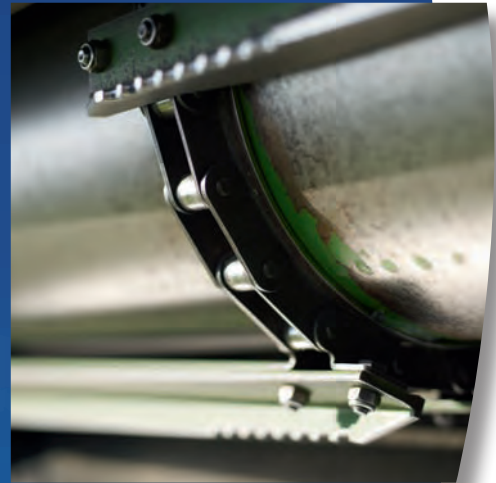


Corn header





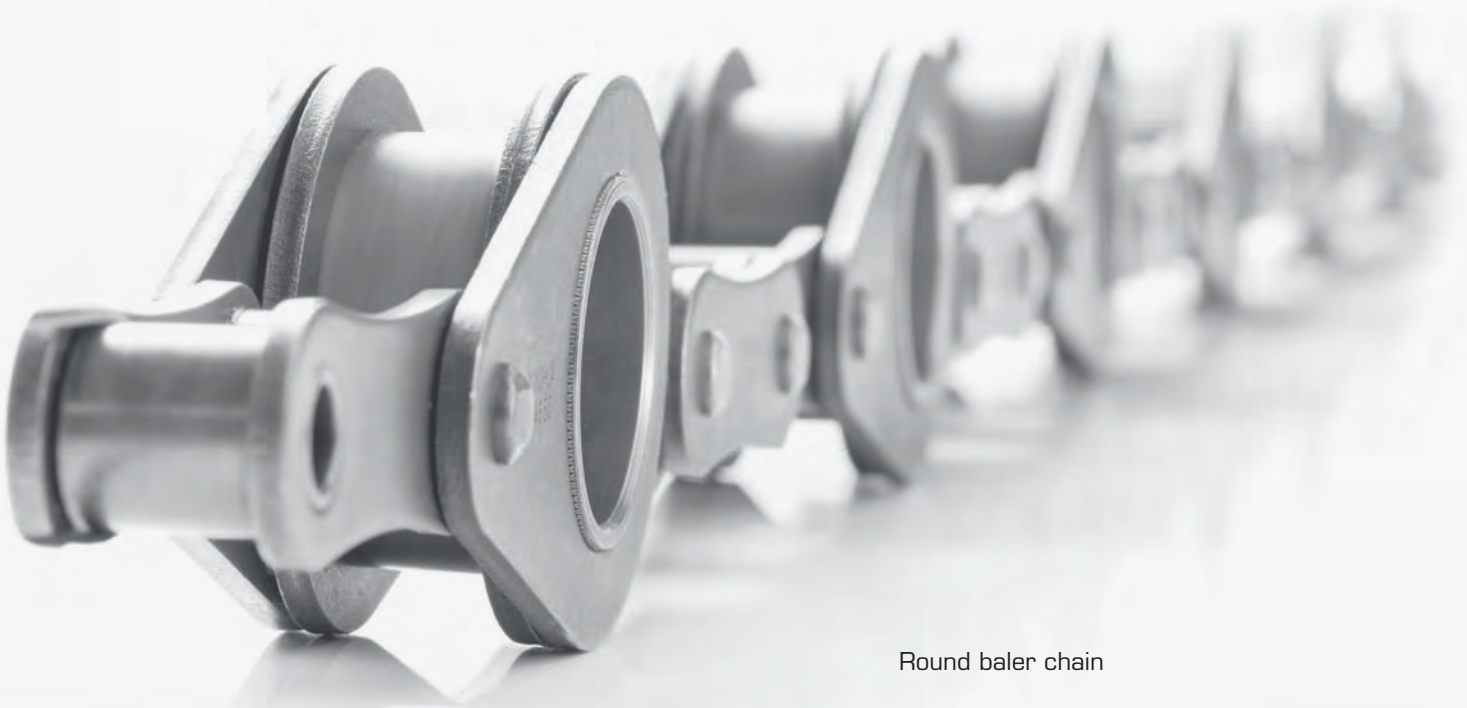
Elevator chain



Feeder chain



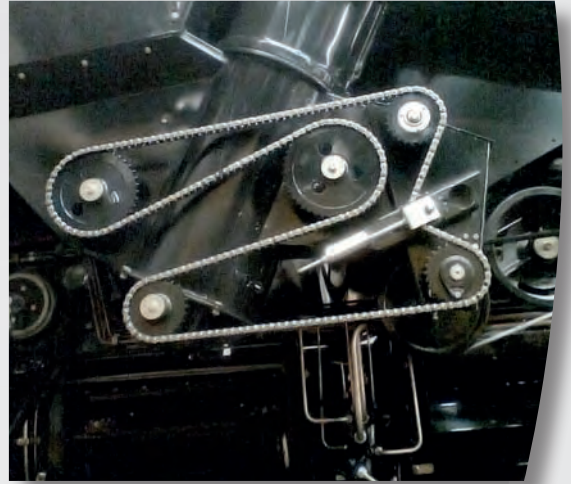
The Donghua agricultural chain program



Round baler chain



Reinforced drive chain



Drive chain



Content



Agricultural roller chains

Agricultural roller chains S32 - S88 acc. DIN 8189 / ISO 487 - 1984	4
Attachments for S-type agricultural roller chains	5
Agricultural roller chains 55V acc. DIN 8189 / ISO 487 - 1984	16
Attachments for type 55V agricultural roller chains	18
Agricultural roller chains type 55VD	19
Attachment for 55VD agricultural roller chains	20
Agricultural roller chains type 38.4	21
Attachment for 38.4 agricultural roller chains	22
Special attachment for 38.4 agricultural roller chains	24
Special agricultural roller chains P41.3 and attachments for P41.3	26
Agricultural roller chains A-type	27
Special agricultural roller chains	28
Agricultural roller chains CA-type	30
Attachment for CA-type agricultural roller chains	31
Special agricultural chains with attachment	54

Special combine chains

Special combine chains	58
ZGS38 combine chain with attachments	60
Rice harvester chains	62

Drive chains

Short pitch simplex precision roller chains (A serie) acc. to ISO 606, DIN 8188, AISI B29.1	72
Short pitch duplex precision roller chains (A serie) acc. to ISO 606, DIN 8188, AISI B29.1	73
Short pitch triplex precision roller chains (A serie) acc. to ISO 606, DIN 8188, AISI B29.1	74
Short pitch multiple strand precision roller chains (A serie) acc. to ISO 606, DIN 8188, AISI B29.1	75
Short pitch simplex precision roller chains (B serie) acc. to ISO 606, DIN 8187	76
Short pitch duplex precision roller chains (B serie) acc. to ISO 606, DIN 8187	77
Short pitch triplex precision roller chains (B serie) acc. to ISO 606, DIN 8187	78
Heavy duty series precision roller chains	79
Heavy duty series precision roller chains acc. to AISI B29.1	80
SH series high strength heavy duty short pitch roller chains	81
SP series high strength short pitch roller chains	82
HSP series high strength heavy duty short pitch roller chains	83
SPE & HSPE series high strength heavy short pitch roller chains	84

Donghua sales offices	87
------------------------------------	----

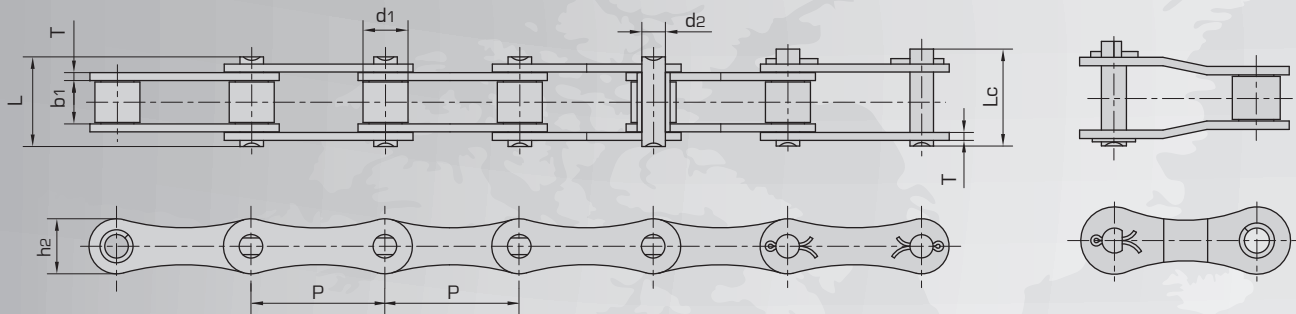
Agricultural roller chains





Agricultural roller chains S32 - S88

Acc. DIN 8189 / ISO 487 - 1984



Donghua Chain No.	Pitch	Roller diameter	Width between inner plates	Pin diameter	Pin length		Inner plate depth	Plate thickness	Ultimate tensile strength	Average tensile strength	Weight per meter
	P	d1 max	b1 min	d2 max	L max	Lc max	h2 max	t/T max	Q min	Q0	q
	mm	mm	mm	mm	mm	mm	mm	mm	kN/LB	kN	kg/m
S32	29.21	11.43	15.88	4.45	26.7	28.8	13.2	1.8	8.0/1818	21.6	0.86
S32V	29.21	11.43	15.88	5.08	27.3	29.7	13.5	2.1	25.0/5680	27.0	0.96
S42	34.93	14.27	19.05	7.00	34.3	37.0	19.8	2.8	27.0/6136	50.8	1.60
S42F2	34.93	14.27	19.05	7.00	34.3	37.0	19.8	2.5/3.0	27.0/6137	50.8	1.82
S45	41.40	15.24	22.23	5.72	37.7	40.4	17.3	2.8	18.0/4091	36.1	1.66
S45H	41.40	15.24	22.23	7.14	39.5	42.2	17.3	3.0	36.75/8267	45.0	2.00
S51	38.10	15.24	16.00	5.72	30.9	33.8	17.3	2.8	28.0/6364	30.8	1.48
S52	38.10	15.24	22.23	5.72	37.7	40.4	17.3	2.8	18.0/4091	36.1	1.68
S52F10	38.10	14.00	22.00	6.92	36.5	39.1	18.2	2.5	23.5/5283	28.2	1.60
S52L	38.10	15.24	16.40	5.72	30.9	33.8	16.5	2.5	29.2/6636	32.2	1.36
S52LV	38.10	15.88	17.80	6.94	33.8	37.0	16.7	3.0	30.0/6818	32.5	1.58
S55	41.40	17.78	22.23	5.72	37.7	40.4	17.3	2.8	18.0/4091	36.1	1.80
S55F9	41.40	17.78	22.23	7.14	37.0	39.7	19.8	2.8	35.0/7873	36.1	2.70
S55H	41.40	17.78	22.23	8.28	39.5	42.2	20.4	3.0	45.0/10122	50.0	2.90
S55R	41.40	17.78	22.23	8.90	41.0	44.0	22.4	3.5	45.0/10227	73.1	2.49
S55RH	41.40	17.78	22.23	8.90	43.2	46.4	22.4	4.0	65.0/14772	84.5	2.74
S55RHF1	41.40	25.0	22.23	8.90	43.2	46.4	22.4	4.0	65.0/14772	84.5	2.74
S62	41.91	19.05	26.20	5.72	40.3	43.0	17.3	2.5	26.7/6067	36.1	1.87
S62F5	41.91	19.05	26.20	5.72	40.3	43.0	16.7	2.5	26.7/6067	36.1	2.07
S62F8	41.91	19.05	27.90	10.0	44.9	49.3	25.0	3.0	45.0/10227	60.0	2.96
S62F10	41.91	19.05	25.40	5.72	39.4	42.2	17.3	2.5	26.7/6067	36.1	2.04
S77	58.34	18.26	22.23	8.90	43.2	46.4	26.2	4.0	45.0/10227	73.1	2.66
S88	66.27	22.86	28.58	8.90	49.8	53.0	26.2	4.0	45.0/10227	73.1	3.25



B inner link



A outer link



S cottered connecting link

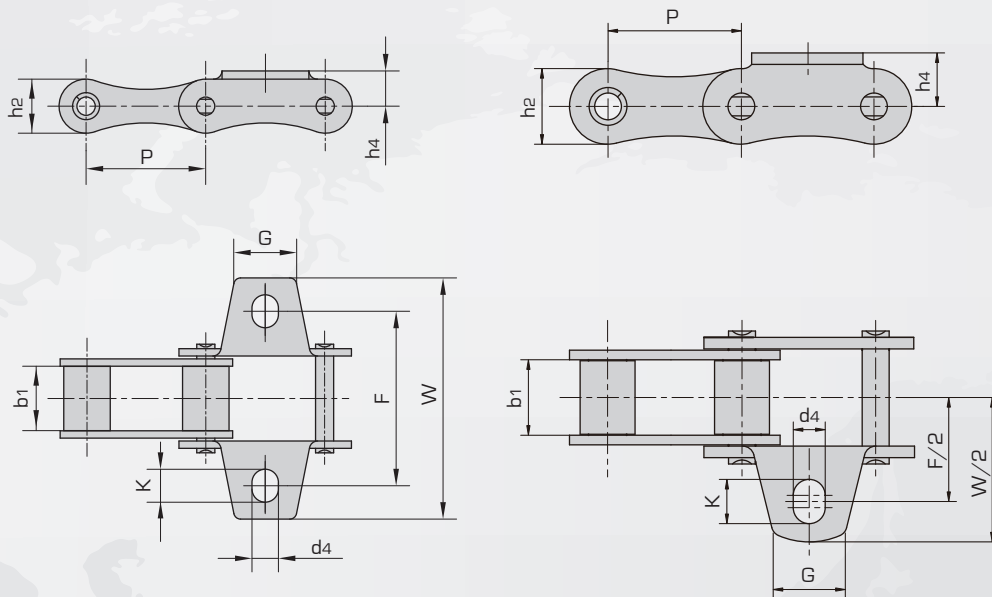


G connecting link wired



L single offset link

Attachments for S-type Agricultural roller chains



Donghua Chain No.	P	b ₁	G	F	W	h ₄	d ₄	K	h ₂
	mm	mm	mm	mm	mm	mm	mm	mm	mm
S32K1	29.21	15.88	15.0	42.9	61.0	8.6	5.3	6.9	13.2
S32K1F1	29.21	15.88	15.0	42.9	61.0	8.6	6.5	8.1	13.2
S42K1	34.93	19.05	17.5	54.0	74.9	14.0	8.3	11.5	19.8
S42A1F2	34.93	19.05	23.6	54.0	75.0	14.0	6.9	10.1	19.8
S42F2A1	34.93	19.05	17.5	54.0	75.0	14.0	8.3	11.5	19.8
S45K1	41.40	22.23	22.0	54.0	75.0	11.4	8.5	11.7	17.3
S51K1	38.10	16.00	19.0	49.8	71.5	11.4	8.3	9.9	17.3
S51HF1K1	38.10	16.00	34.0	52.4	84.5	13.0	8.3	9.9	21.0
S52K1	38.10	22.23	19.0	58.8	78.0	11.4	8.3	9.9	17.3
S52K1F1	38.10	22.23	19.0	58.8	78.0	11.4	6.6	8.2	17.3
S55K1	41.40	22.23	22.0	54.0	75.0	11.4	8.5	11.7	17.3
S55K1F1	41.40	22.23	22.0	54.0	75.0	11.4	6.5	9.5	17.3
S55HK1	41.40	22.23	34.0	52.7	82.0	13.4	8.4	11.4	20.4
S62K1	41.91	26.20	22.0	66.8	95.4	11.4	8.3	14.7	17.3
S62A2K1	41.91	26.20	22.0	66.7	95.5	12.6	8.3	14.7	17.3
S62F2K1	41.91	26.20	22.0	66.8	95.4	11.4	6.5	13.0	17.3
S62F5A2K1	41.91	26.20	22.0	66.7	95.5	12.6	8.3	14.7	16.7
S77K1	58.34	22.23	25.0	76.2	102.0	20.8	8.3	11.5	26.2
S88K1	66.27	28.58	22.0	97.0	119.4	20.8	8.3	9.9	26.6
S88F2K1	66.27	28.58	22.0	97.0	119.4	20.8	8.3	9.9	26.2
S88F3K1	66.27	28.58	30.0	97.7	120.0	20.5	8.3	9.9	26.2



A outerlink with attachment one side



A outerlink with attachment two sides

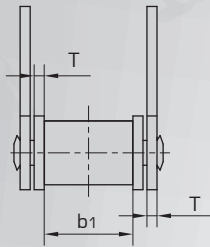
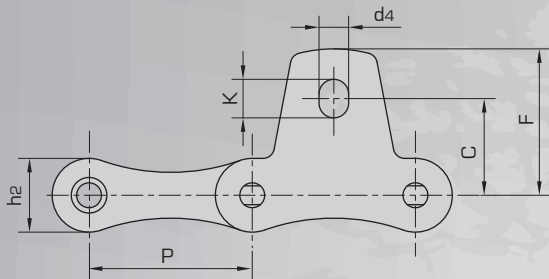


S connecting link with attachment one side



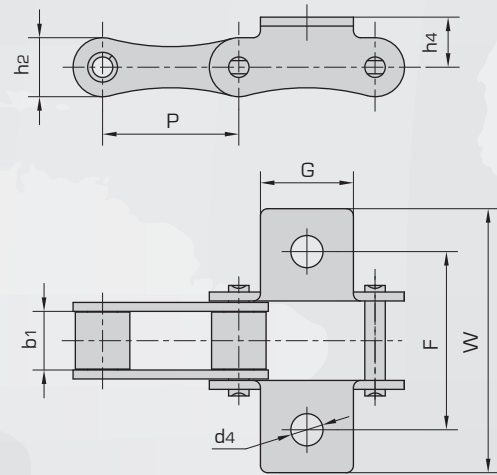
S connecting link with attachment two sides

Attachments for S-type Agricultural roller chains

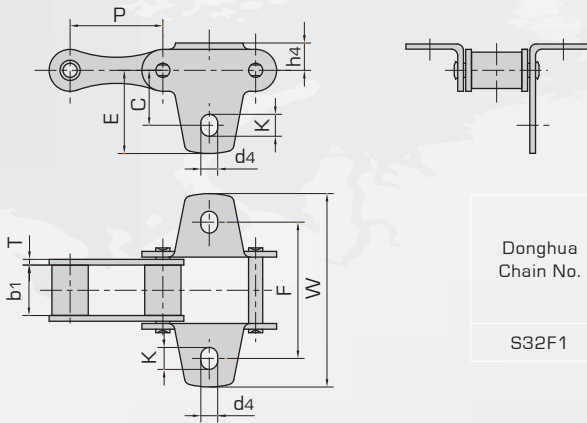


Donghua Chain No.	P	b ₁	h ₂	T	C	F	d ₄	K
	mm	mm	mm	mm	mm	mm	mm	mm
S32SK1	29.21	15.88	13.2	1.8	17.3	26.2	5.3	6.9
S42SK1	34.93	19.05	19.8	2.8	23.6	34.3	8.3	11.5
S45SK1	41.40	22.23	17.3	2.8	19.8	30.2	8.3	11.5
S52SK1	38.10	22.23	17.3	2.8	22.1	31.8	8.3	9.9
S55SK1	41.40	22.23	17.3	2.8	19.8	30.2	8.3	11.5
S62SK1	41.91	26.20	17.3	2.5	24.6	38.6	8.3	14.7
S77SK1	58.34	22.23	26.2	4.0	36.3	50.0	8.3	11.5
S88SK1	66.27	28.58	26.2	4.0	43.7	55.6	8.3	9.9

Donghua Chain No.	P	b ₁	G	F	W	h ₄	d ₄	h ₂
	mm	mm	mm	mm	mm	mm	mm	mm
S42F2K1F1	37.93	19.05	45.0	54.8	75.2	14.0	8.3	19.8
S52LK1	38.10	16.40	26.0	50.0	74.0	14.0	9.0	16.5
S52LF1K1	38.10	16.0	26.0	50.0	74.0	16.0	9.0	16.5

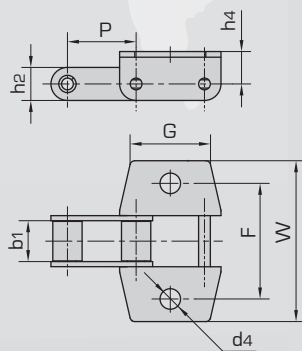
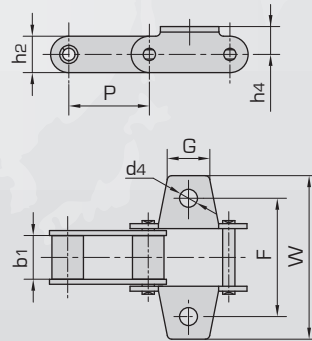


Attachments for S-type Agricultural roller chains



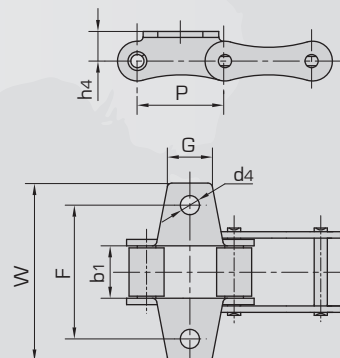
Donghua Chain No.	P	b ₁	T	C	E	F	W	d ₄	K	h ₄
	mm	mm	mm	mm	mm	mm	mm	mm	mm	mm
S32F1	41.4	29.21	1.8	17.3	26.2	42.9	60	5.3	6.9	8.6

Donghua Chain No.	P	b ₁	G	F	W	h ₄	d ₄	h ₂
	mm	mm	mm	mm	mm	mm	mm	mm
S52F1	38.4	18.5	23.0	57.5	80.0	16.0	8.7	17.5

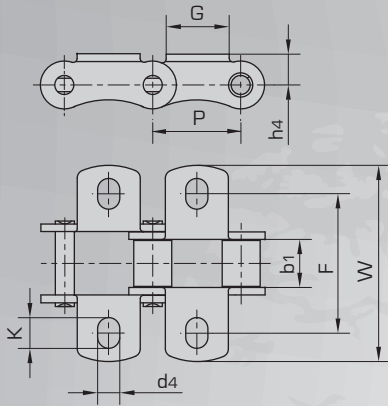


Donghua Chain No.	P	b ₁	G	F	W	h ₄	d ₄	h ₂
	mm	mm	mm	mm	mm	mm	mm	mm
S52F2	38.4	18.50	39.0	57.0	80.0	16.0	10.5	17.5
S52F7	38.4	19.05	39.0	58.4	82.4	14.5	10.5	20.5
S52F12	38.1	19.05	39.0	57.5	79.5	14.5	10.0	14.5

Donghua Chain No.	P	b ₁	G	F	W	h ₄	d ₄
	mm	mm	mm	mm	mm	mm	mm
S52F6	38.1	22.23	19.0	51.2	71.7	16.5	8.3

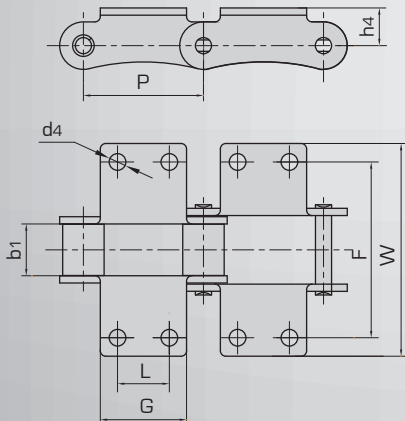
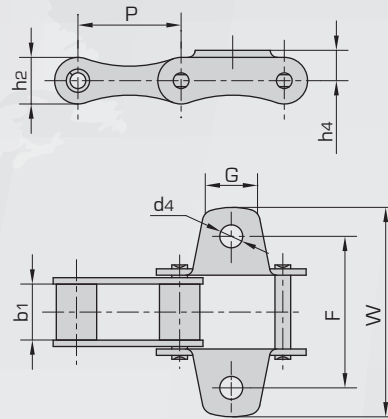


Attachments for S-type Agricultural roller chains



Donghua Chain No.	P	b ₁	G	F	W	h ₄	d ₄	K
	mm	mm	mm	mm	mm	mm	mm	mm
S55RK1	41.4	22.23	25.0	63.6	90.4	15.5	8.6	12.0
S55RHK1	41.4	22.23	25.0	63.6	90.4	15.5	8.6	12.0

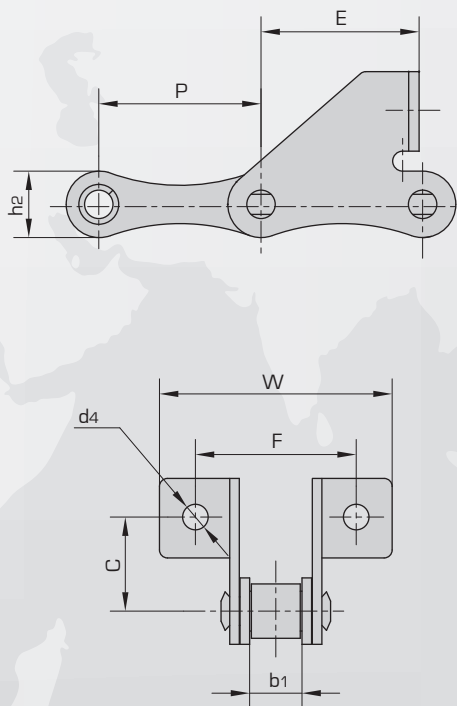
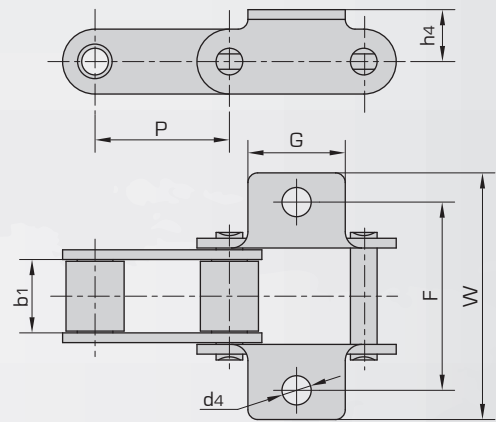
Donghua Chain No.	P	b ₁	G	F	W	h ₄	d ₄	K
	mm	mm	mm	mm	mm	mm	mm	mm
S32K1F2	29.21	15.88	15.0	42.9	61.0	8.6	5.3	13.2
S45K1F1	41.40	22.23	22.0	51.0	75.0	11.4	7.2	17.3
S52K1F2	38.10	22.23	22.0	58.7	76.5	11.4	8.5	17.3
S55F5	41.40	22.23	22.0	56.0	75.0	11.4	10.0	17.3
S55K1F2	41.40	22.23	22.0	55.0	75.0	11.4	8.5	17.3
S77K1F1	58.34	22.23	26.0	76.2	103.8	20.8	10.5	26.2



Donghua Chain No.	P	b ₁	L	G	F	W	h ₄	d ₄
	mm	mm	mm	mm	mm	mm	mm	mm
S62K2F1	41.91	26.20	19.1	35.0	66.8	95.4	11.4	8.3
S88K2F1	66.27	28.58	28.6	47.6	97.0	117.4	20.8	9.2

Attachments for S-type Agricultural roller chains

Donghua Chain No.	P	b ₁	G	F	W	h ₄	d ₄
	mm	mm	mm	mm	mm	mm	mm
S77F1K1	58.34	22.23	40.0	77.0	128.0	20.0	10.5
S77F2K1	58.34	22.23	40.0	77.0	132.0	25.0	10.5



Donghua Chain No.	P	b ₁	C	E	F	W	d ₄	h ₂
	mm	mm	mm	mm	mm	mm	mm	mm
S32SD	29.21	15.88	20.0	19.2	58.0	78.0	6.4	13.2
S45W-F1	41.40	22.23	20.0	37.0	58.0	87.0	6.6	17.3
S45W-F4	41.40	22.23	20.5	33.2	58.0	85.6	6.6	17.3
S45F1	41.40	22.23	21.0	25.0	62.4	83.4	8.5	17.3
S45SDF2	41.40	22.23	21.0	28.5	62.4	83.4	8.5	17.3
S52SD	38.10	22.23	20.0	19.2	62.0	88.5	6.4	7.3
S52F4	38.10	15.80	20.6	37.0	53.8	69.5	6.4	16.7
S52F8	38.10	22.23	20.6	37.0	60.7	76.4	6.4	17.3
S52F9	38.10	18.50	20.0	18.5	54.5	71.0	6.5	16.5
S52LSD	38.10	16.40	20.0	17.5	54.5	71.0	6.5	16.5
S52LF2SD	38.10	16.00	20.0	19.0	54.6	76.6	6.5	17.0
S52F12SD	38.10	13.0	20.0	30.0	47.5	83.4	6.4	17.3
S52SDF2	38.10	22.20	20.2	37.2	57.6	86.2	6.5	16.4
S55F2	41.40	22.23	20.0	37.0	58.0	87.0	6.4	17.3
S55F3	41.40	22.23	20.5	33.2	58.0	85.6	6.6	17.3
S55F4	41.40	22.23	20.0	37.0	58.0	87.0	6.6	17.3
S55F6	41.40	22.23	20.0	30.0	58.0	87.0	6.4	17.3
S55F7	41.40	22.23	20.5	33.2	62.0	85.6	6.6	17.3
S55RSDF1	41.40	22.23	20.5	33.2	62.0	85.6	6.6	22.4
S55SDF2	41.40	22.20	20.0	33.4	58.0	86.0	6.6	17.3
S62SD	41.91	26.20	20.0	32.6	61.4	92.0	6.4	17.3

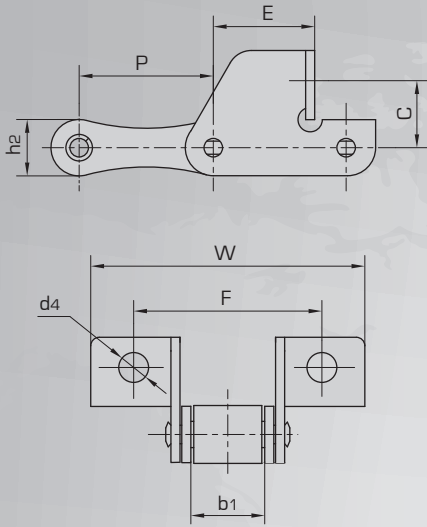


A outer link



S connecting link

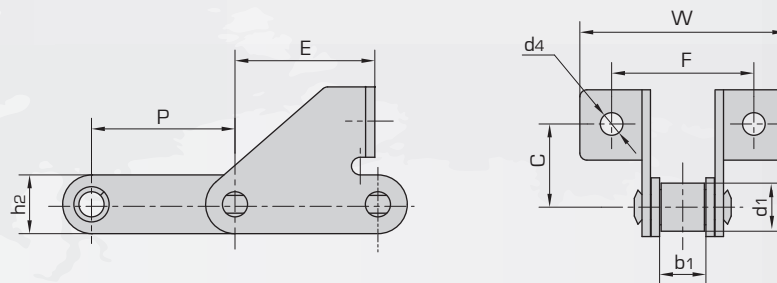
Attachment for S-type Agricultural roller chains



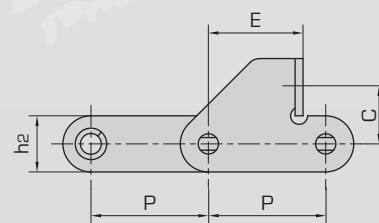
Donghua Chain No.	P	b ₁	C	E	F	W	d ₄	h ₂
	mm	mm	mm	mm	mm	mm	mm	mm
S45V	41.4	22.23	21.0	28.5	62.4	83.4	8.8	17.3
S45SD	41.4	22.23	17.00	28.3	58.0	81.2	8.5	17.3
S45SDF1	41.4	22.23	17.5	31.9	62.0	91.0	8.5	17.3
S45SDF3	41.4	22.23	16.5	31.9	62.0	91.0	8.5	17.3
S52SDF1	38.1	15.80	19.56	20.0	56.0	82.0	6.4	17.3
S55V	41.4	22.23	21.0	28.5	57.5	83.4	6.5	17.3
S55SDF1	41.4	22.23	20.0	31.9	58.0	89.2	6.5	17.3



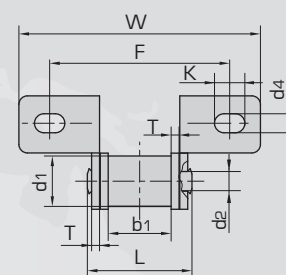
Attachment for S-type Agricultural roller chains



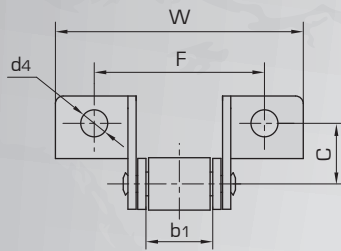
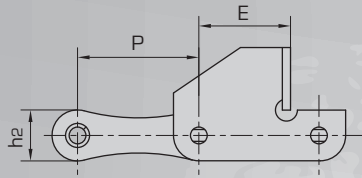
Donghua Chain No.	P	d1	b1	C	E	F	W	d4	h2
	mm	mm	mm	mm	mm	mm	mm	mm	mm
S52F11SD	38.1	16.00	17.50	21.0	23.0	55.0	75.0	8.3	20.0
S52F3	38.4	15.88	18.50	24.0	37.4	52.0	73.0	8.7	17.5



Donghua Chain No.	P	C	E	F	W	d4	K
	mm	mm	mm	mm	mm	mm	mm
S55F9SD	41.4	20.5	33.4	62.0	85.4	6.7	10.7

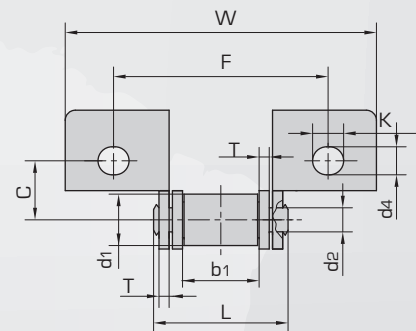
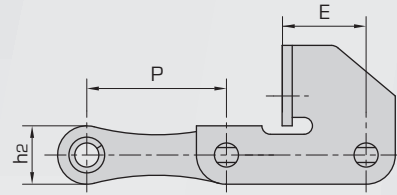


Attachments for S-type Agricultural roller chains

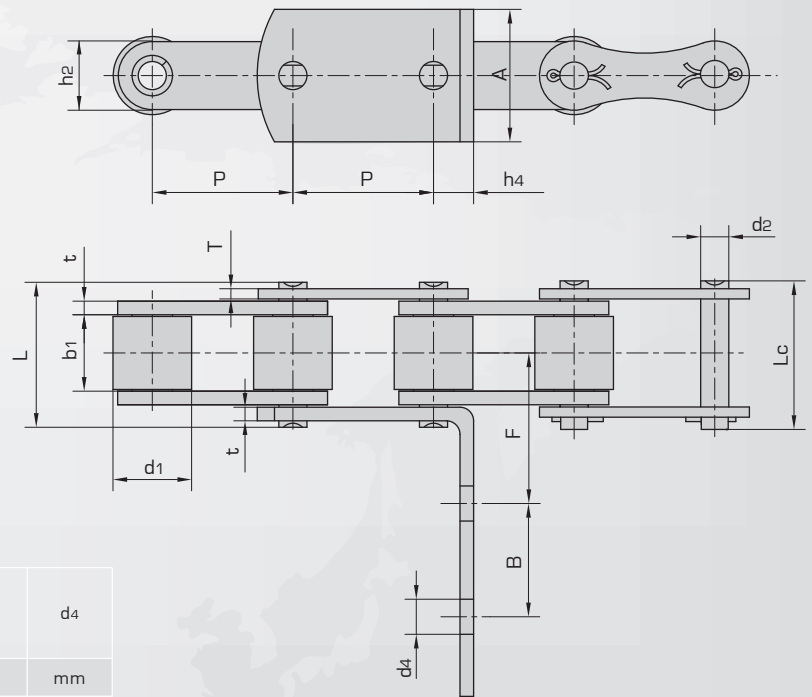


Donghua Chain No.	P	b ₁	C	E	F	W	d ₄	h ₂
	mm	mm	mm	mm	mm	mm	mm	mm
S55F1	41.4	22.23	19.0	31.9	62.0	89.2	8.3	17.3
S55RSD	41.4	22.23	19.0	31.9	62.0	89.2	8.3	22.4
S55SDF3	41.4	22.23	17.2	31.9	62.0	92.0	8.3	17.3
S55HSDF1	41.4	22.23	20.6	41.8	64.0	91.0	8.4	20.4
S55RHSD1	41.4	22.23	25.4	31.5	71.0	101.0	8.5	22.4
S55F10SD	41.4	22.23	20.0	30.0	57.0	90.1	6.5	17.3

Donghua Chain No.	P	C	E	F	W	d ₄	K
	mm	mm	mm	mm	mm	mm	mm
S45HF1	41.4	17.50	24.9	63.4	92.0	8.3	9.2
S55HSD	41.4	20.60	32.5	64.0	91.0	7.5	10.7

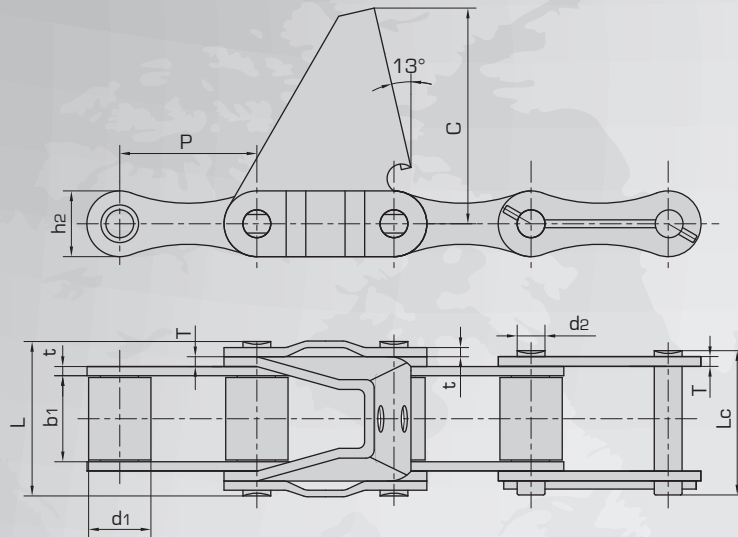


Attachments for S-type Agricultural roller chains

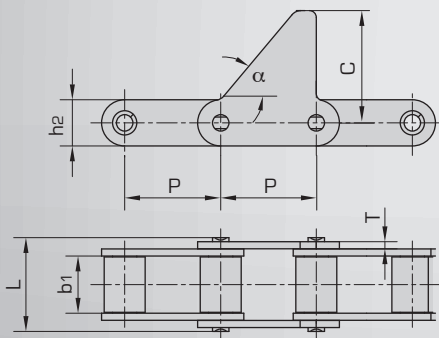


Donghua Chain No.	P	A	B	F	h ₄	d ₄
	mm	mm	mm	mm	mm	mm
S45HF2	41.4	39.0	50	61.0	11.8	8.3
S55HF1	41.4	30.0	30	32.0	13.5	6.5

Attachments for S-type Agricultural roller chains

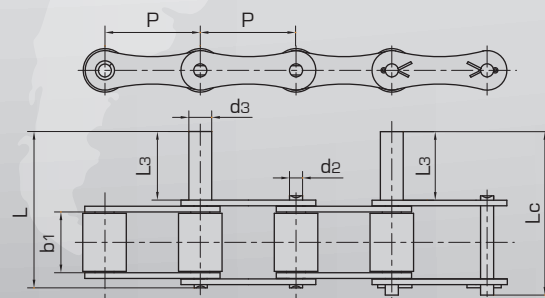


Donghua Chain No.	Pitch	Roller diameter	Width between inner plates	Pin diameter	Pin length		Plate dimension			Ultimate tensile strength	Weight per meter
	P	d1 max	b1 min	d2 max	L max	Lc max	h2 max	t/T	C	Q min	Q0
	mm	mm	mm	mm	mm	mm	mm	mm	mm	kN/LB	kN
S62R-C6E	41.91	19.05	25.8	8.5	47.8	44.6	20.1	2.8/3.0	66.0	42.0/9448	43.7

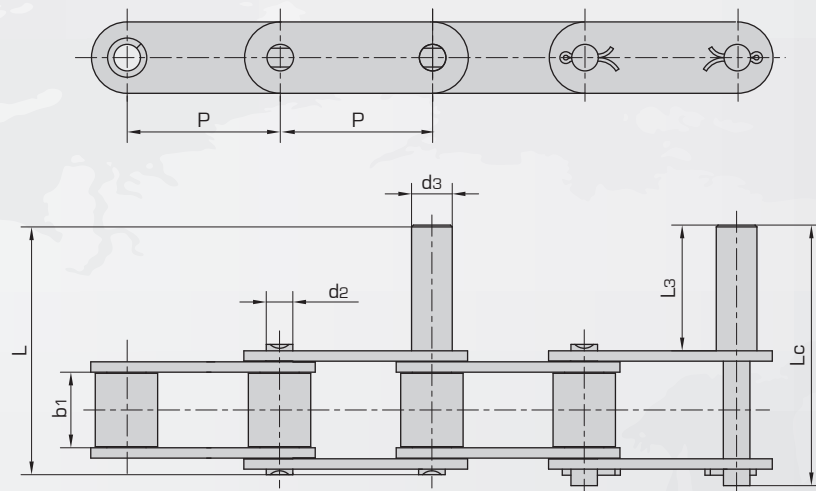


Donghua Chain No.	P	b1	C	α	L	T	h2
	mm	mm	mm		mm	mm	mm
S62F1	41.91	25.4	60.0	50°	41.9	3.0	20.0

Donghua Chain No.	P	b1	d2	d3	La	L	Lc
	mm	mm	mm	mm	mm	mm	mm
S42-D1F1	34.93	19.05	7.00	9.95	25	58.0	61.0
S42-D2	34.93	19.05	7.00	10.00	30	63.0	65.7
S62-D3F1	41.91	26.20	5.72	5.72	18	56.8	59.5
S62-D4	41.91	26.2	5.62	10.00	35	73.8	76.5

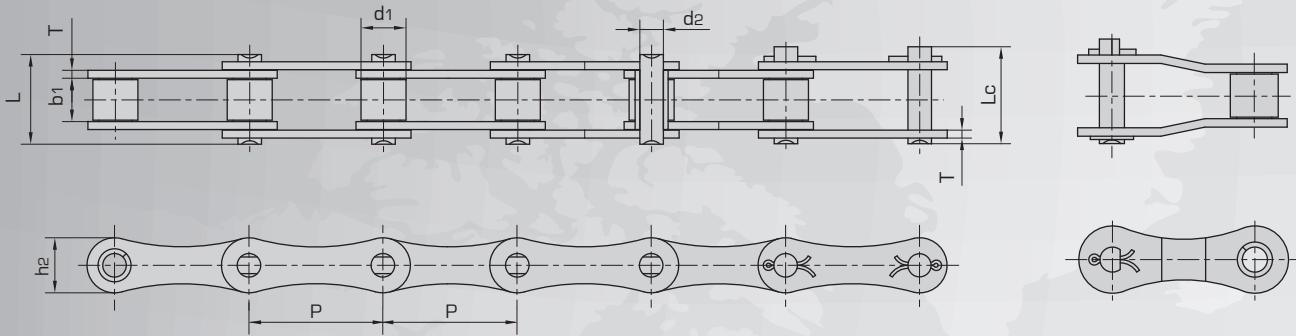


Attachments for S-type Agricultural roller chains

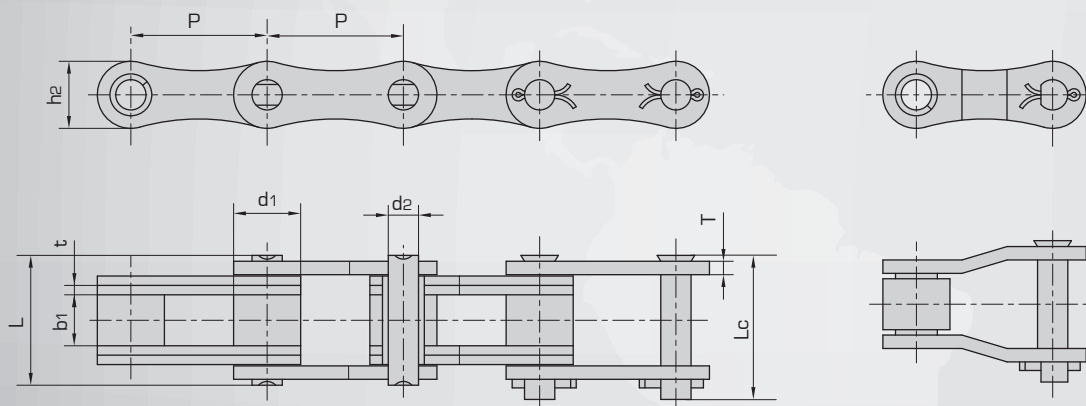


Donghua Chain No.	P	b ₁	d ₂	d ₃	L ₃	L	L _c
	mm	mm	mm	mm	mm	mm	mm
S62F6	41.19	25.40	9.00	12.70	40.00	84.8	87.8
S62F4	41.19	26.00	8.00	12.70	40.00	80.8	83.8

Agricultural roller chains 55V Acc. DIN 8189 / ISO 487 - 1984



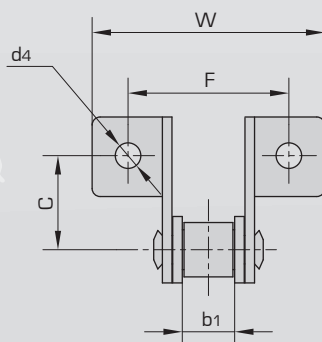
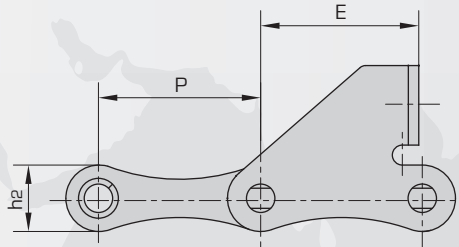
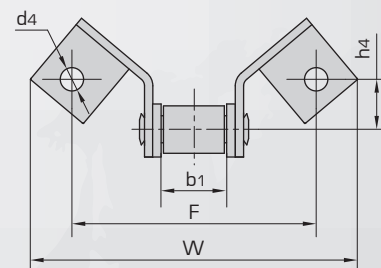
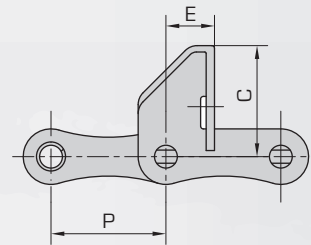
Donghua Chain No.	Pitch	Roller diameter	Width between inner plates	Pin diameter	Pin length		Inner plate depth	Plate thickness	Ultimate tensile strength	Average tensile strength	Weight per meter
	P	d1 max	b1 min	d2 max	L max	Lc max	h2 max	t/T max	Q min	Q0	q
	mm	mm	mm	mm	mm	mm	mm	mm	mm	kN	kg/m
55V	41.4	17.90	22.23	8.22	39.3	42.4	20.0	3.0	42.0/9546	45.0	2.22
55VF1	41.4	17.90	22.23	8.22	39.3	42.4	21.4	3.0	45.0/10227	73.1	2.23



Donghua Chain No.	Pitch	Roller diameter	Width between inner plates	Pin diameter	Pin length		Inner plate depth	Plate thickness	Ultimate tensile strength	Average tensile strength	Weight per meter
	P	d1 max	b1 min	d2 max	L max	Lc max	h2 max	t/T max	Q min	Q0	q
	mm	mm	mm	mm	mm	mm	mm	mm	mm	kN	kg/m
55VF1H2	41.4	17.9	22.23	8.22	45.3	48.4	21.4	3.0	60.0/11858	65.0	2.92

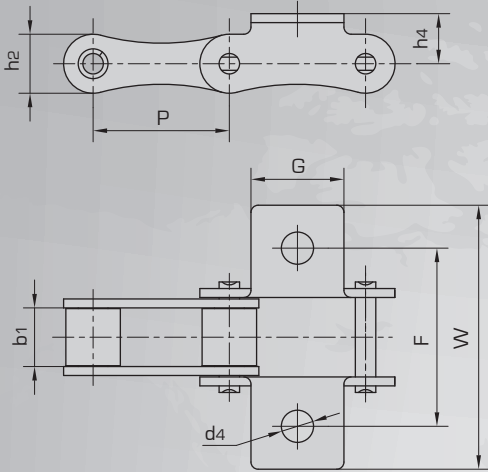
Agricultural roller chains 55V Acc. DIN 8189 / ISO 487 - 1984

Donghua Chain No.	P	b ₁	C	E	F	W	h ₄	d ₄
	mm	mm	mm	mm	mm	mm	mm	mm
55SEF1	41.4	22.23	40.0	25.0	88	118	18.00	8.4
55VSE	41.4	22.23	41.0	17.5	88	118	18.44	8.4
55VSEL	41.4	22.23	41.0	31.3	88	118	18.44	8.4



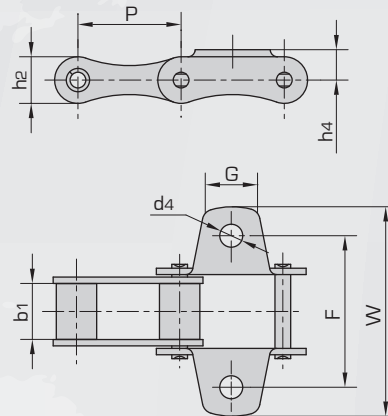
Donghua Chain No.	P	b ₁	C	E	F	W	d ₄	h ₂
	mm	mm	mm	mm	mm	mm	mm	mm
55VSDF1	41.4	22.23	20.5	33.2	62.0	85.6	6.6	20.0
55VSDF2	41.4	22.23	20.5	33.2	62.0	85.6	8.3	20.0

Attachments for type 55V Agricultural roller chains

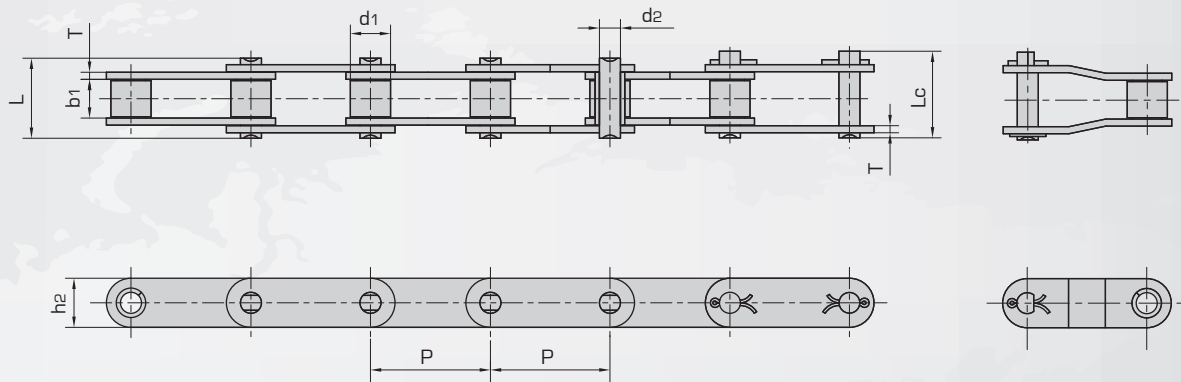


Donghua Chain No.	P	b ₁	G	H	W	h ₄	d ₄	h ₂
	mm	mm	mm	mm	mm	mm	mm	mm
55VK1	41.4	22.23	30.0	58.0	76.0	16.0	9.0	20.0

Donghua Chain No.	P	b ₁	G	F	W	h ₄	d ₄	K
	mm	mm	mm	mm	mm	mm	mm	mm
55VK1F1	41.4	22.23	22.0	56.0	75.0	16.0	10.0	20.0

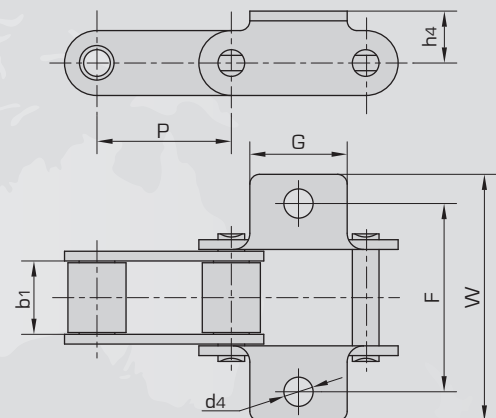


Agricultural roller chains Type 55VD

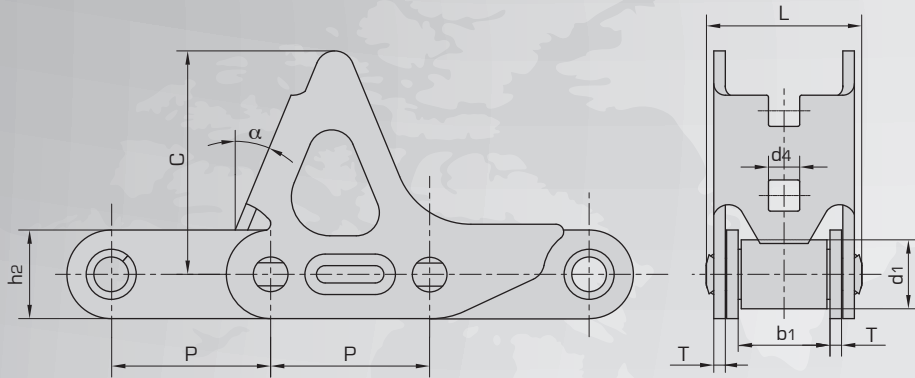


Donghua Chain No.	Pitch	Roller diameter	Width between inner plates	Pin diameter	Pin length		Plate dimension		Ultimate tensile strength	Average tensile strength	Weight per meter
	P	d1 max	b1 min	d2 max	L max	Lc max	h2 max	t/T max	Q min	Q0	q
	mm	mm	mm	mm	mm	mm	mm	mm	Kn/LB	kN	kg/m
55VD	41.4	17.90	23.00	8.22	39.3	42.4	20.00	2.80	42.00/9546	45.0	2.34

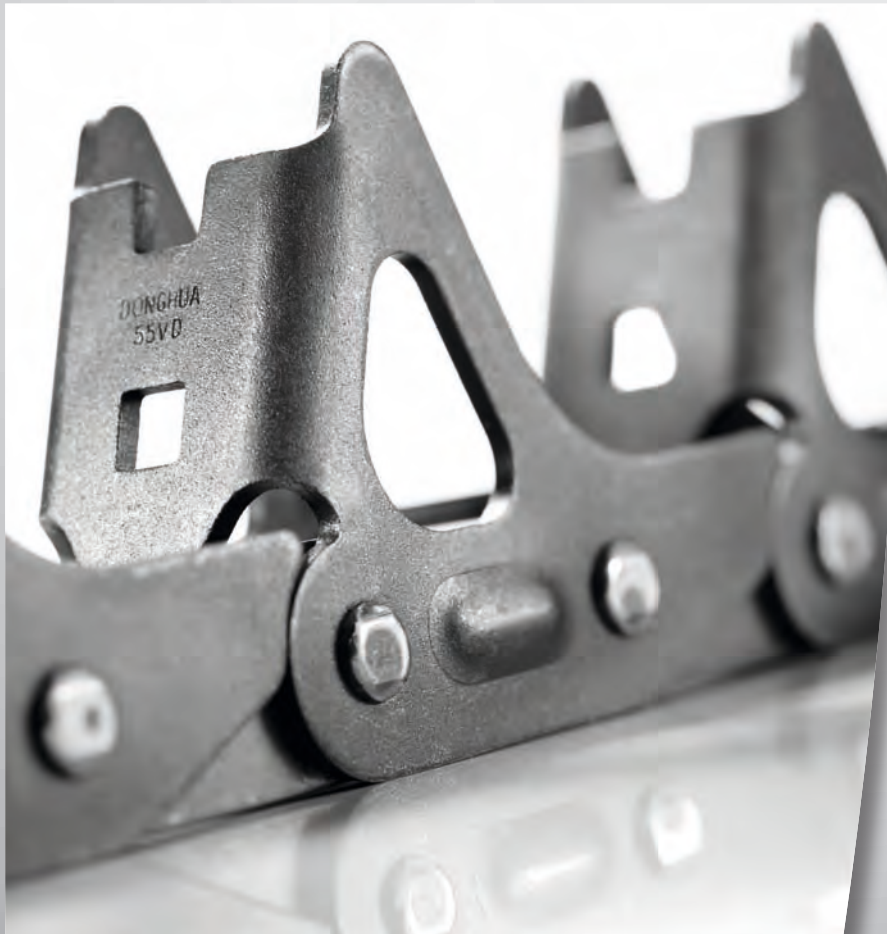
Donghua Chain No.	P	b1	G	F	W	h4	d4
	mm	mm	mm	mm	mm	mm	mm
55VDK1	41.4	23.00	30.0	50.8	76.0	16.0	9.0



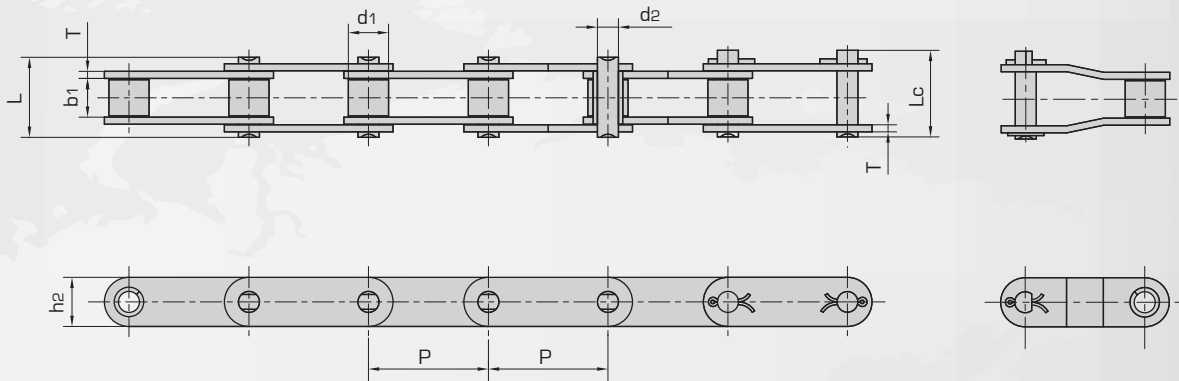
Attachment for 55VD Agricultural roller chains



Donghua Chain No.	Pitch	Roller diameter	Width between inner plates	Pin length	Plate dimension					Ultimate tensile strength	Weight per meter
	P	d1 max	b1 min	L max	h2 max	T	C	d4	α	Q min	q
	mm	mm	mm	mm	mm	mm	mm	mm		kN	kg/m
55VDF1-CPEF	41.4	17.9	22.5	39.7	23.0	3.0	58	8.1	22.5°	50/11248	3.68



Agricultural roller chains Type 38.4



Donghua Chain No.	Pitch	Roller diameter	Width between inner plates	Pin diameter	Pin length		Plate dimension		Ultimate tensile strength	Average tensile strength	Weight per meter
	P	d1 max	b1 min	d2 max	L max	Lc max	h2 max	t/T max	Q min	Q0	q
	mm	mm	mm	mm	mm	mm	mm	mm	Kn/LB	kN	kg/m
38.4R	38.4	15.88	19.05	6.92	33.8	36.4	17.30	2.50	33.00/7480	41.2	1.70
38.4V	38.4	15.88	18.00	6.92	35.0	38.0	17.30	3.00	40.00/9091	50.0	1.83
38.4VB	38.4	15.88	19.05	8.28	36.1	39.4	20.50	3.00	50.00/11363	62.5	2.17



A outer link



S cottered connecting link



G connecting link wired



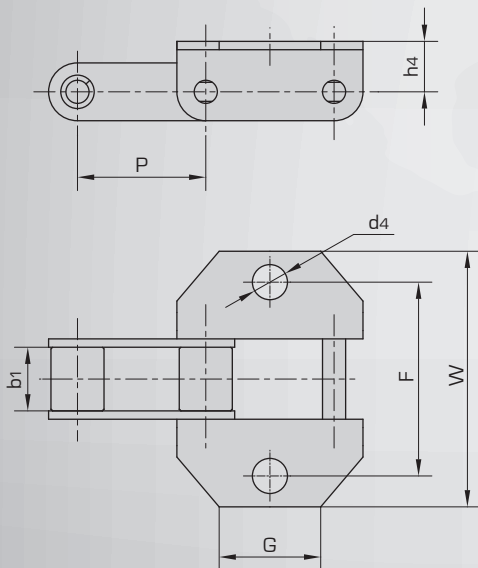
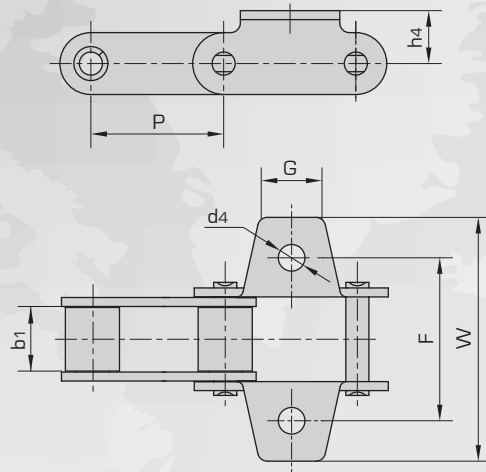
L single offset link



C double offset link

Attachment for 38.4 Agricultural roller chains

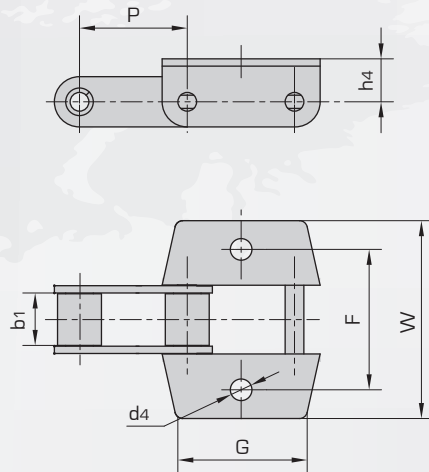
Donghua Chain No.	P	b ₁	G	F	W	h ₄	d ₄
	mm	mm	mm	mm	mm	mm	mm
38.4RK1F1	38.4	19.05	22.00	58.0	83.00	15.4	9.00
38.4RK1F2	38.4	19.05	22.00	57.5	82.00	16.0	9.00
38.4RK1F3	38.4	19.05	20.00	58.0	84.40	15.5	8.50
38.4RK1F4	38.4	19.05	20.00	57.0	75.00	16.0	8.50
38.4RK1F7	38.4	19.05	22.00	57.5	82.00	16.0	10.50
38.4VF3K1	38.4	18.00	20.00	58.0	79.00	15.4	9.00
38.4VK1	38.4	18.00	22.00	57.5	82.00	15.4	9.00
38.4VK1F6	38.4	18.00	22.00	56.8	74.80	16.3	8.50
38.4VK1F7	38.4	18.00	22.00	57.5	82.00	15.4	8.40
38.4VK1F9	38.4	18.00	22.00	56.8	82.00	16.3	8.70



Donghua Chain No.	P	b ₁	G	F	W	h ₄	d ₄
	mm	mm	mm	mm	mm	mm	mm
38.4RK1	38.4	19.05	29.1	58.0	76.5	15.1	10.5
38.4RK1F6	38.4	19.05	40.0	57.0	84.0	16.5	10.3
38.4VBF3	38.4	19.05	40.0	57.0	86.0	16.0	10.3
38.4VBK1	38.4	19.05	29.0	58.0	87.0	14.0	10.5
38.4VBK1F3	38.4	19.05	39.0	57.0	80.0	16.0	10.5
38.4VK1F1	38.4	18.00	29.1	57.0	75.0	15.1	8.5
38.4VK1F2	38.4	18.00	29.1	57.0	75.0	15.1	10.5
38.4VK1F3	38.4	18.00	29.1	57.0	75.0	15.1	9.0
38.4VK1F10	38.4	18.00	39.0	58.4	82.4	14.5	10.5

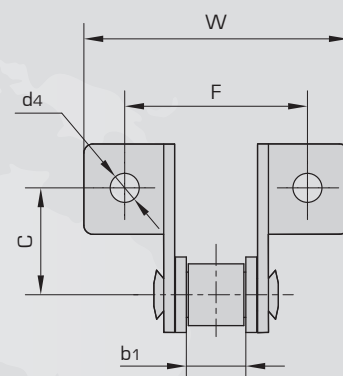
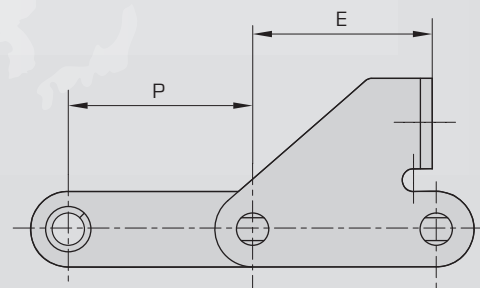


Attachment for 38,4 Agricultural roller chains



Donghua Chain No.	P	b ₁	G	F	W	h ₄	d ₄
	mm	mm	mm	mm	mm	mm	mm
38.4VK1F8	38.4	18.00	40.0	57.0	86.00	16.0	10.5
38.4VBF5	38.4	19.05	40.0	57.0	86.00	14.0	10.5
38.4VBF6	38.4	19.05	20.0	57.0	75.00	16.0	8.6
38.4VBF7	38.4	19.05	40.0	58.5	86.60	14.0	10.5

Donghua Chain No.	P	b ₁	E	F	W	C	d ₄
	mm	mm	mm	mm	mm	mm	mm
38.4RSD	38.4	19.05	38.4	52.0	71.0	24.5	8.4
38.4RSDF1	38.4	19.05	38.4	52.0	70.0	24.5	8.4
38.4RSDF2	38.4	19.05	38.4	52.0	71.0	24.5	9.0
38.4RSDF4	38.4	19.05	37.4	52.0	71.0	24.0	8.4
38.4RSDF5	38.4	19.05	35.9	60.0	79.0	24.0	6.4
38.4RSDF6	38.4	19.05	38.4	62.0	81.0	24.5	8.5
38.4RSDF7	38.4	19.05	38.4	60.0	81.0	24.5	8.4
38.4RSDF8	38.4	19.05	38.4	60.0	81.0	24.5	6.4
38.4VBSD	38.4	19.05	38.4	52.0	71.0	25.0	8.4
38.4VBSDF1	38.4	19.05	38.4	52.0	73.0	24.0	8.3
38.4VBSDF2	38.4	19.05	38.4	52.0	73.0	24.0	8.4
38.4VBSDF3	38.4	15.88	38.4	52.0	70.1	24.5	8.5
38.4VBSDF5	38.4	19.05	37.4	52.0	73.0	24.0	8.7
38.4VSD	38.4	18.00	38.4	52.0	71.0	24.0	8.4

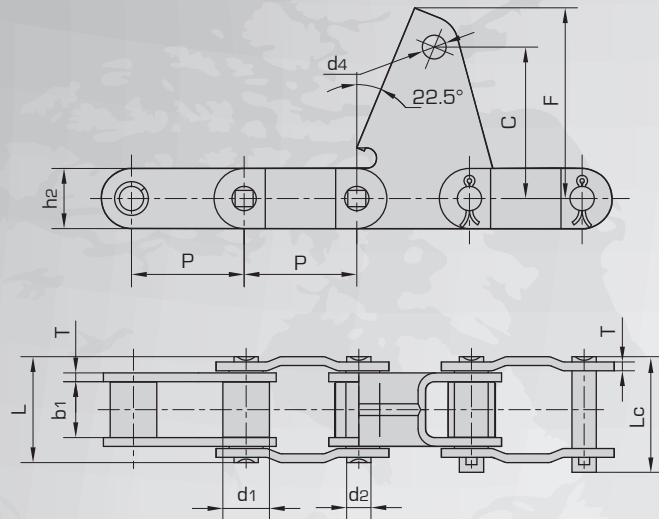


A outer link

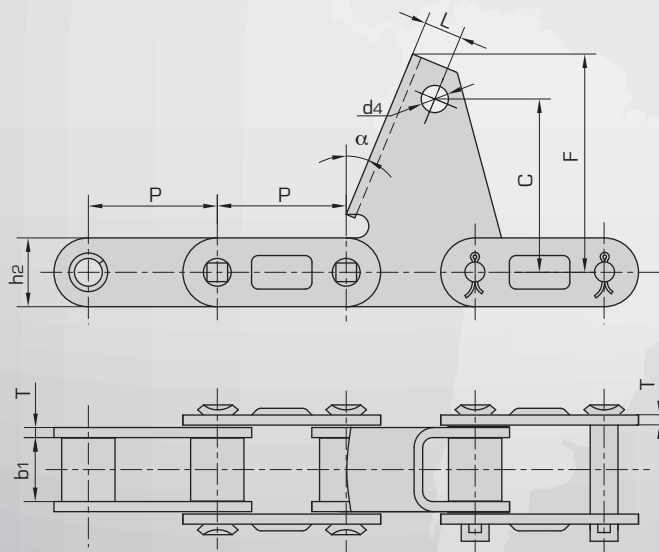


G connecting link with wire lock

Special attachment for 38.4 Agricultural roller chains



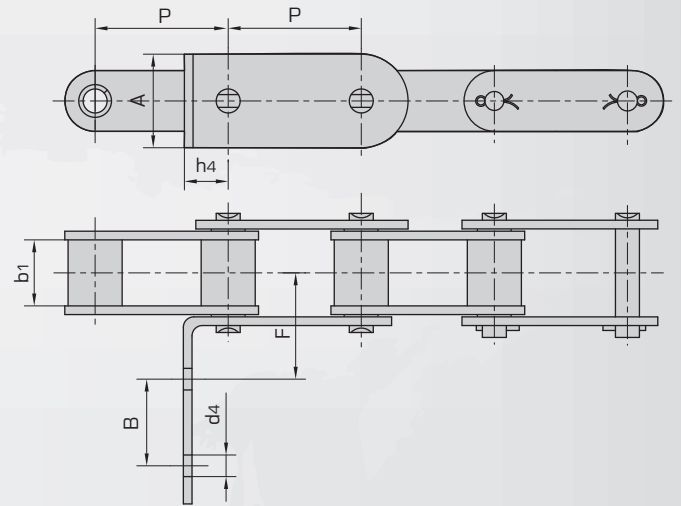
Donghua Chain No.	Pitch	Roller diameter	Width between inner plates	Pin diameter	Pin length		Plate dimension					Ultimate tensile strength	Weight per meter
	P	d1 max	b1 min	d2 max	L max	Lc max	h2 max	T max	C	F	d4	Q min	q
	mm	mm	mm	mm	mm	mm	mm	mm	mm	mm	mm	Kn/LB	kg/m
38.4VBF2	38.4	15.88	19.05	8.28	36.1	39.1	20.5	3.0	51.6	65	8.1	50/11247	2.33



Donghua Chain No.	P	b1	h2	L	d4	T	C	F	α
	mm	mm	mm	mm	mm	mm	mm	mm	
38.4VBF4	38.4	19.05	20.5	15.0	8.1	3.0	48.0	64.0	22°

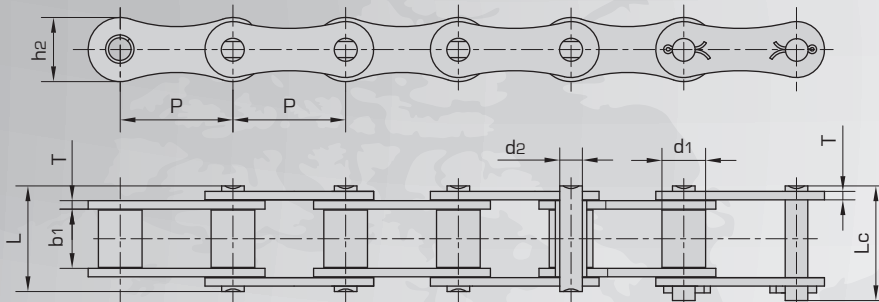
Special attachment for 38.4 Agricultural roller chains

Donghua Chain No.	P	b ₁	A	B	F	h ₄	d ₄
	mm	mm	mm	mm	mm	mm	mm
38.4RF2	38.4	19.05	27.0	25	31.3	12.7	6.8

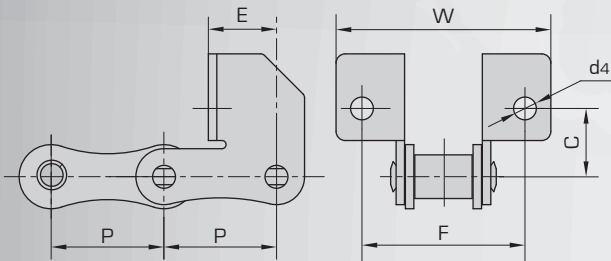


Special Agricultural roller chains P41.3

Attachments for P41.3

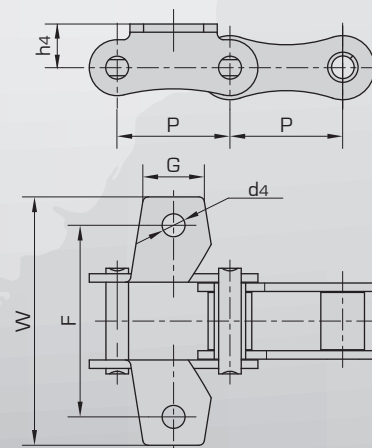


Donghua Chain No.	Pitch	Roller diameter	Width between inner plates	Pin diameter	Pin length		Plate dimension		Ultimate tensile strength	Weight per meter
	P	d1 max	b1 min	d2 max	L max	Lc max	h2 max	T max	Q min	q
	mm	mm	mm	mm	mm	mm	mm	mm	kN/LB	kg/m
P41.3	41.3	16.0	21.4	8.28	39.0	42.0	23.5	3.1	50/11363	2.27

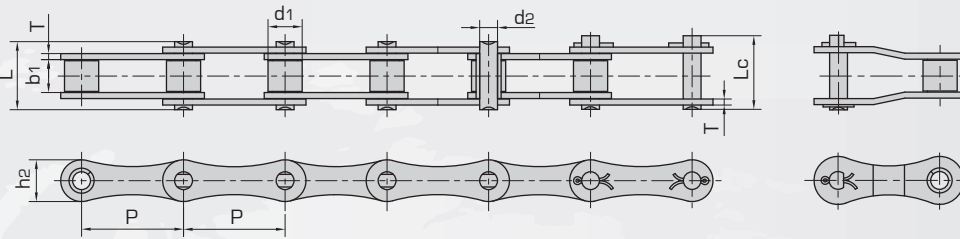


Donghua Chain No.	P	G	E	F	W	d4
	mm	mm	mm	mm	mm	mm
P41.3SD	41.3	25	25	60	79	6.4

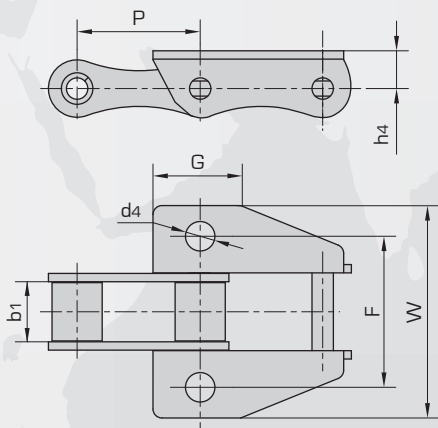
Donghua Chain No.	P	G	F	W	h4	d4
	mm	mm	mm	mm	mm	mm
P41.3K1	41.3	22.0	70.5	91.3	16.0	8.4



Agricultural roller chains A-type

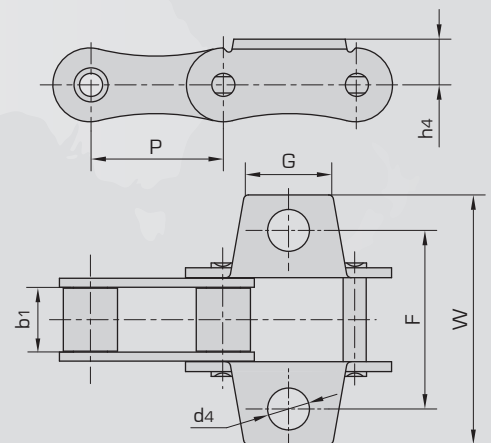


Donghua Chain No.	Pitch	Roller diameter	Width between inner plates	Pin diameter	Pin length		Plate dimension		Ultimate tensile strength	Average tensile strength	Weight per meter
	P	d1 max	b1 min	d2 max	L max	Lc max	h2 max	T max	Q min	Q0	q
	mm	mm	mm	mm	mm	mm	mm	mm	Kn/LB	kN	kg/m
A550	41.40	16.87	19.81	7.19	35.0	38.0	19.3	2.80	39.10/8886	51.2	1.79
A555	41.40	16.87	12.70	7.19	29.1	32.0	19.3	3.10	39.10/8886	56.0	1.60
A557	41.40	17.78	20.24	8.00	37.4	40.6	23.1	3.10	55.61/12639	74.3	2.45
A620	42.01	17.91	24.51	7.19	41.8	45.2	20.2	3.25	39.10/8886	55.1	2.18

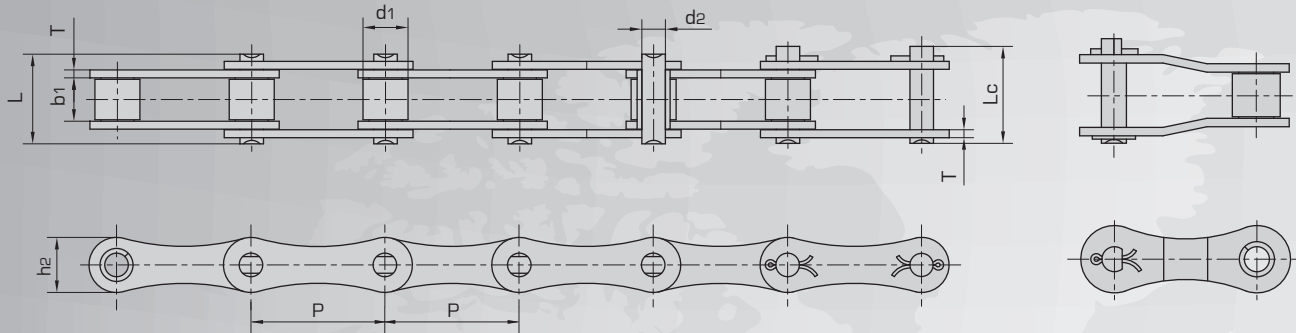


Donghua Chain No.	P	b1	G	F	W	h4	d4
	mm	mm	mm	mm	mm	mm	mm
A557K39M	41.4	20.24	29.5	56.70	77.8	13.5	10.10
A557K39MF2	41.4	20.24	29.5	56.70	77.8	13.5	10.50
A557K39MF1	41.4	20.24	31.0	57.15	78.0	14.2	10.50
A557K35M	41.4	20.24	30.0	50.80	73.5	14.1	10.31
A557K39MF4	41.4	20.24	29.5	56.70	77.8	13.5	10.30
A557K39MF7	41.4	20.24	29.5	63.00	88.0	13.5	11.00
A557F1K39M	41.4	20.24	31.0	57.00	78.0	14.2	10.50

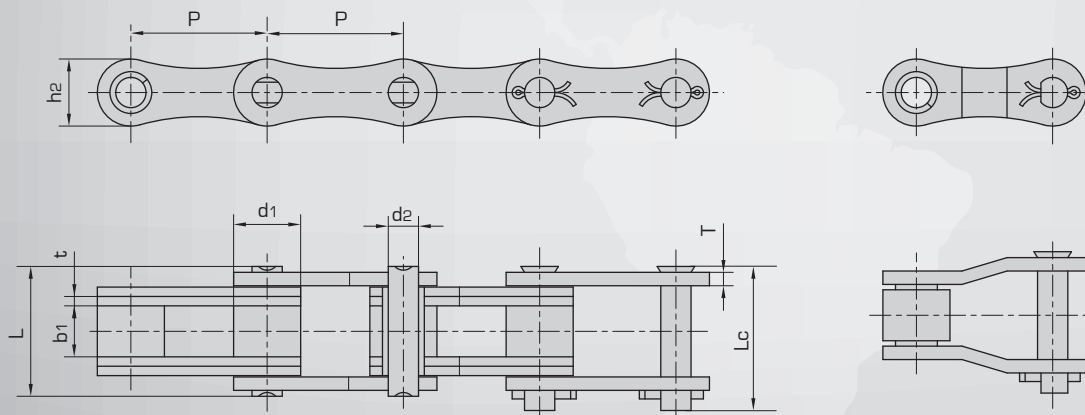
Donghua Chain No.	P	b1	G	F	W	h4	d4
	mm	mm	mm	mm	mm	mm	mm
A557K27S	41.4	20.24	28.6	57.15	79.35	14.3	13.1



Special Agricultural roller chains



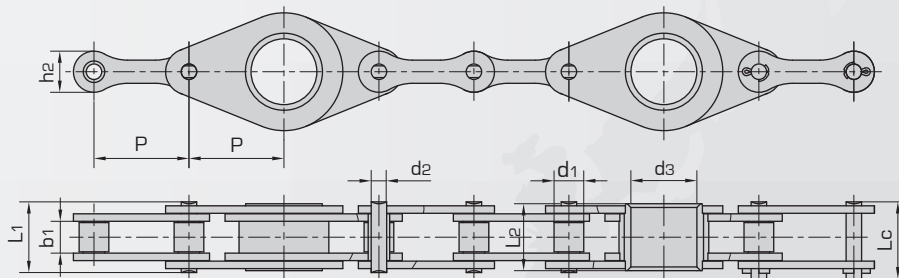
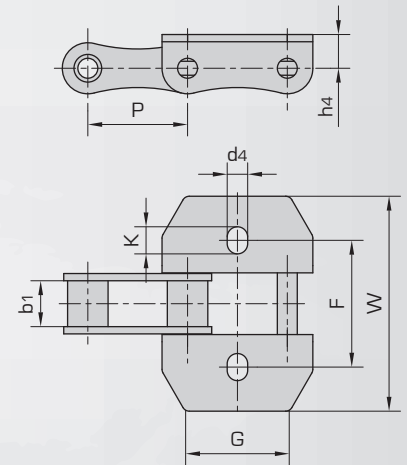
Donghua Chain No.	Pitch	Roller diameter	Width between inner plates	Pin diameter	Pin length		Inner plate depth	Plate thickness	Ultimate tensile strength	Average tensile strength	Weight per meter
	P	d1 max	b1 min	d2 max	L max	Lc max	h2 max	t/T max	Q min	Q0	q
	mm	mm	mm	mm	mm	mm	mm	mm	kN/LB	kN	kg/m
CA620F4	42.01	19.05	27.90	10.19	44.9	46.5	25.0	3.0	45/10277	60.0	2.95
CA642	41.40	15.88	19.00	8.28	36.1	39.1	21.2	3.0	50.0/11363	55.0	1.98
CA650	50.80	25.00	18.90	9.53	40.4	44.7	25.0	4.0	90.0/20454	95.5	3.49
CA650F2	50.80	20.00	18.90	9.53	40.4	44.7	25.0	4.0	90.0/20454	95.5	2.98
CA650F4	50.80	19.05	19.05	5.93	40.4	44.7	25.0	4.0	90/20454	95.5	2.85



Donghua Chain No.	Pitch	Roller diameter	Width between inner plates	Pin diameter	Pin length		Inner plate depth	Plate thickness	Ultimate tensile strength	Average tensile strength	Weight per meter
	P	d1 max	b1 min	d2 max	L max	Lc max	h2 max	t/T max	Q min	Q0	q
	mm	mm	mm	mm	mm	mm	mm	mm	kN/LB	kN	kg/m
CA650F1	50.8	25.0	19.0	11.28	49.2	53.7	25.0	3.5/5.0	138.0/27273	140.0	4.36

Special Agricultural roller chains

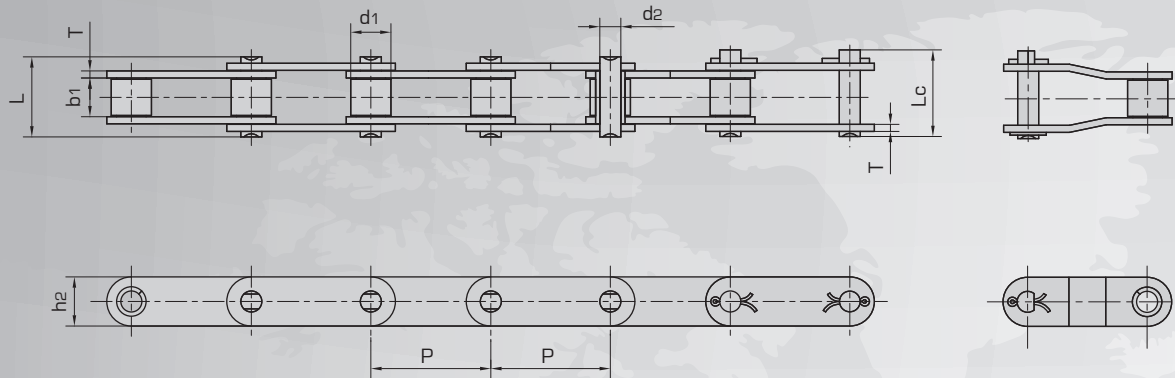
Donghua Chain No.	P	b ₁	G	F	W	h ₄	d ₄	K
	mm	mm	mm	mm	mm	mm	mm	mm
CA642S103	41.4	19	40	53	89.6	14.0	8.5	11.25



Donghua Chain No.	Pitch	Roller diameter	Width between inner plates	Pin diameter	Hollow pin inner diameter	Plate dimension			Inner plate depth	Ultimate tensile strength	Weight per meter
	P	d ₁ max	b ₁ min	d ₂ max	d ₃ max	L ₁ max	L ₂ max	L _c max	h ₂ max	Q _{min}	Q ₀
	mm	mm	mm	mm	mm	mm	mm	mm	mm	kN/LB	kN
216BF1	50.8	15.88	17.02	8.28	35.3	37.8	35.8	41.3	22.0	60.0/13636	70.8
CA650F3	50.8	19.05	19.05	9.53	35.3	40.4	37.8	44.7	25.0	90.0/20454	99.0



Agricultural roller chains CA-type



Donghua Chain No.	Pitch	Roller diameter	Width between inner plates	Pin diameter	Pin length		Plate dimension		Ultimate tensile strength	Average tensile strength	Weight per meter
	P	d1 max	b1 min	d2 max	L max	Lc max	h2 max	T max	Q min	Q0	q
	mm	mm	mm	mm	mm	mm	mm	mm	Kn/LB	kN	kg/m
CA550	41.4	16.87	19.81	7.19	35.0	38.0	19.30	2.80	39.10/8886	51.2	1.94
CA550F4	41.4	14.35	20.24	7.14	35.0	38.5	19.05	2.80	50.00/11363	52.0	1.76
CA550F5	41.4	16.66	20.24	7.14	35.0	38.5	19.05	2.80	45.00/10227	52.0	1.97
CA550F10	41.4	16.70	19.81	7.14	36.2	39.2	19.05	3.00	45.00/10227	52.0	2.38
CA550H	41.4	16.74	20.00	7.14	36.0	39.1	19.10	3.00	57.82/13000	60.8	2.00
CA550HF4	41.4	16.74	20.00	7.14	36.0	39.1	19.10	3.00	57.78/12998	60.8	2.73
CA550V	41.4	16.80	19.05	8.28	36.1	39.1	22.00	3.00	55.00/12499	68.7	2.24
CA550VF1	41.4	16.80	19.50	8.28	36.7	39.4	19.80	3.00	44/9898	54.96	2.50
CA550VF2	41.4	16.80	19.05	8.28	36.1	38.8	20.00	3.00	55.00/12499	68.7	2.13
CA555	41.4	16.87	12.70	7.19	29.1	32.0	19.30	3.10	39.10/8886	56.0	1.72
CA557	41.4	17.78	20.24	8.00	37.4	40.6	23.10	3.10	55.61/12639	74.3	2.60
CA620	42.01	17.91	24.51	7.19	41.8	45.2	20.20	3.25	39.10/8886	55.1	2.35
CA2060H	38.1	11.91	12.70	5.94	29.2	31.6	18.00	3.25	31.10/6996	40.5	1.45
CA2063H	38.1	11.89	12.70	5.94	29.4	34.2	19.30	3.25	31.28/7109	40.5	1.65
CAE44151	28.575	15.88	16.20	7.92	33.5	36.9	22.20	3.25	58.80/13363	64.5	2.73
CA960	41.4	17.78	22.61	8.90	40.1	43.0	23.10	3.00	66.00/15160	72.6	6.94



A outer link



S cottered connecting link



G connecting link wired

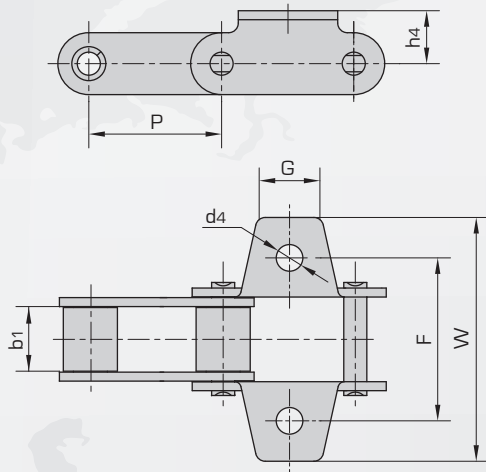


L single offset link



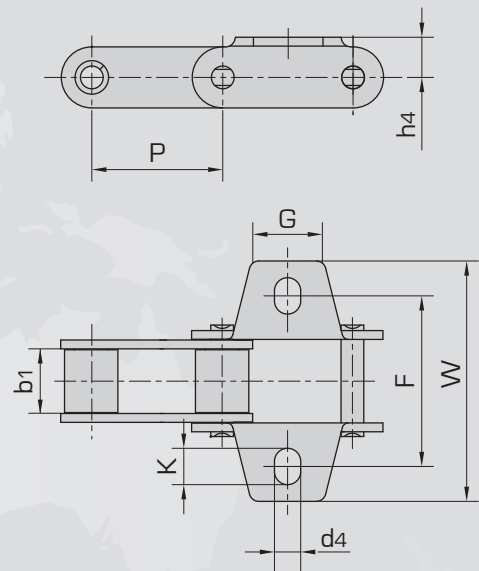
C double offset link

Attachment for CA-type Agricultural roller chains



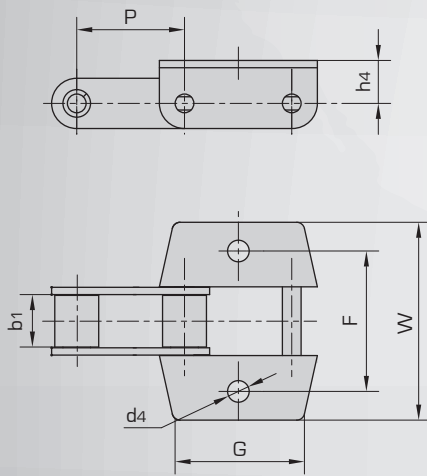
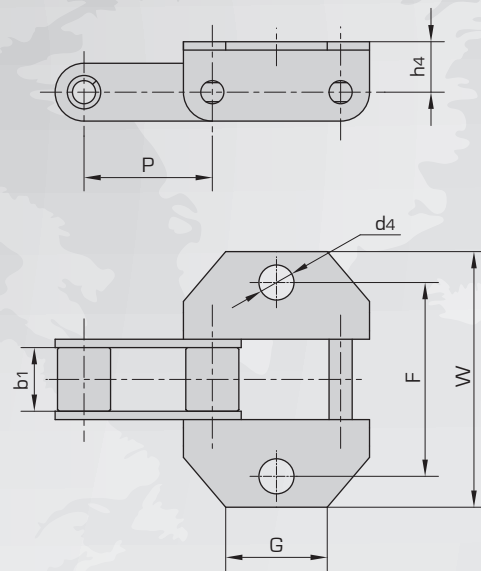
Donghua Chain No.	P	b1	G	F	W	h4	d4
	mm	mm	mm	mm	mm	mm	mm
CA550A29	41.4	19.81	22.23	50.8	71.40	12.7	9.92
CA550AK29M	41.4	19.81	26.20	50.8	75.40	16.5	10.24
CA550F2	41.4	19.50	22.00	50.8	72.00	14.7	8.50
CA550F4K19	41.4	20.24	22.23	50.8	77.80	12.7	6.75
CA550F5K1	41.4	20.24	22.00	54.0	71.50	12.7	8.50
CA550F5AK29M	41.4	20.24	26.20	50.8	75.40	16.5	10.24
CA550F5K29F1	41.4	20.24	22.00	50.8	75.40	12.7	10.30
CA550K1F1	41.4	19.81	20.00	54.0	76.20	16.5	8.30
CA550K1F2	41.4	19.81	20.00	50.8	76.20	16.5	8.30
CA550K1F7	41.4	19.81	26.20	50.8	75.40	16.5	8.40
CA550K25	41.4	19.81	22.23	50.8	71.40	12.7	8.70
CA550K29F1	41.4	19.81	22.20	50.8	75.40	12.7	10.30
CA550VF2K1	41.4	19.05	27.18	51.0	75.54	16.5	8.33
CA550VK1	41.4	19.05	27.00	54.0	75.54	16.5	8.50
CA550VK1F1	41.4	19.05	27.00	50.8	75.54	16.5	8.50
CA557K1	41.4	20.24	22.00	50.8	72.00	15.9	8.70
CA557K1F2	41.4	20.24	22.00	50.8	72.00	15.9	8.30

Donghua Chain No.	P	b1	G	F	W	h4	d4	K
	mm	mm	mm	mm	mm	mm	mm	mm
CA550K1	41.4	19.81	22.00	52.5	76.2	12.7	8.3	10.0
CA550K1F3	41.4	19.81	22.00	54.0	76.2	12.7	8.3	11.5
CA550K1F9	41.4	19.81	22.00	50.8	76.2	12.7	8.3	11.7
CA550F4K19F1	41.4	20.24	22.23	52.5	76.2	12.7	8.3	10.0
CA555K1	41.4	12.70	22.00	52.5	76.2	12.7	8.3	10.0



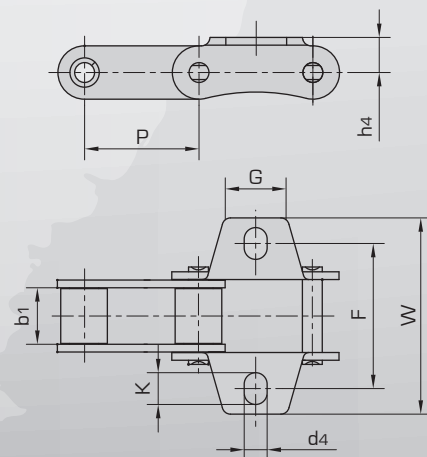
Attachment for CA-type Agricultural roller chains

Donghua Chain No.	P	b ₁	G	F	W	h ₄	d ₄
	mm	mm	mm	mm	mm	mm	mm
CA550K18	41.4	19.81	22.6	54.0	71.6	12.7	8.5
CA550HK1	41.4	20.00	22.6	54.0	71.5	12.7	8.5
CA550VK18	41.4	19.05	22.6	54.0	71.6	12.7	8.5

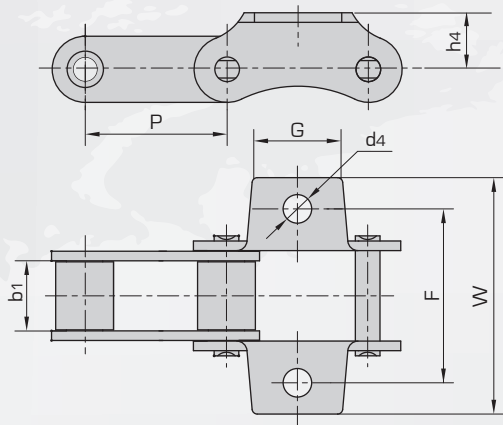


Donghua Chain No.	P	b ₁	G	F	W	h ₄	d ₄
	mm	mm	mm	mm	mm	mm	mm
CA550K1F4	41.40	19.81	48.5	54.0	76.20	16.5	8.5
CA550K1F6	41.40	19.81	48.5	54.0	76.20	16.5	10.5
CA550K18	41.40	19.81	22.6	54.0	71.60	12.7	8.5
CA550VK1F3	41.40	19.05	56.0	54.0	75.54	16.5	8.5
CA620A1F1	42.01	24.51	63.5	67.7	91.70	16.1	10.5

Donghua Chain No.	P	b ₁	G	F	W	h ₄	d ₄	K
	mm	mm	mm	mm	mm	mm	mm	mm
CA550K19	41.4	19.81	22.0	50.8	71.0	12.7	8.3	11.0
CA550K19F1	41.4	19.81	22.0	54.0	71.0	12.7	8.3	11.0
CA550K19F2	41.4	19.81	25.4	50.8	71.0	12.7	8.4	11.5

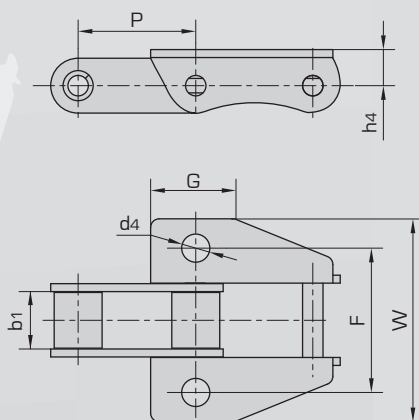
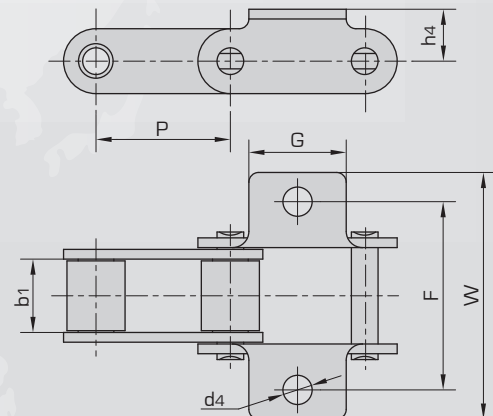


Attachment for CA-type Agricultural roller chains



Donghua Chain No.	P	b ₁	G	F	W	h ₄	d ₄
	mm	mm	mm	mm	mm	mm	mm
CA550F1	41.4	19.81	22.23	53.95	70.6	12.7	9.90
CA550K19F3	41.4	19.81	25.50	50.80	68.4	16.5	8.33
CA550VK19F1	41.4	19.05	25.50	50.80	67.8	16.5	8.33
CA557AK4	41.4	20.24	26.19	50.80	69.4	16.5	8.33

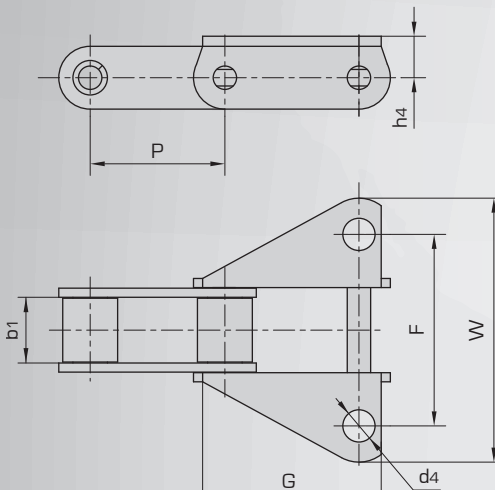
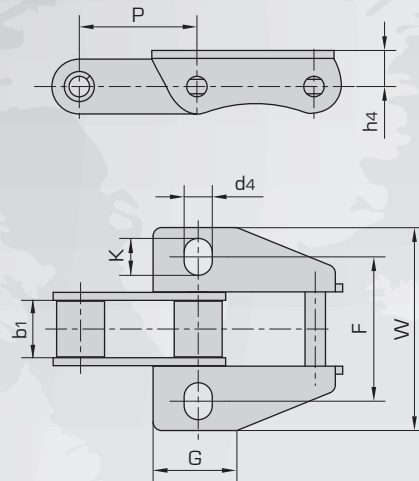
Donghua Chain No.	P	b ₁	G	F	W	h ₄	d ₄
	mm	mm	mm	mm	mm	mm	mm
CA550A1F5	41.4	19.81	38.1	74.6	105.6	12.7	10.3
CA557A1F1	41.4	20.24	38.1	74.6	105.6	12.7	10.3



Donghua Chain No.	P	b ₁	G	F	W	h ₄	d ₄
	mm	mm	mm	mm	mm	mm	mm
CA550K39M	41.4	19.81	29.5	50.80	71.4	12.7	9.8
CA550K39MF3	41.4	19.81	29.5	50.80	71.4	12.7	10.3
CA550F5K39M	41.4	20.24	29.5	50.80	71.4	12.7	10.3
CA550HK39M	41.4	20.00	31.0	57.00	78.0	14.2	10.5
CA557K39M	41.4	20.24	29.5	50.80	71.4	12.7	9.8
CA557K39MF1	41.4	20.24	22.0	57.15	77.6	14.0	9.9
CA557K39MF3	41.4	20.24	31.0	57.00	78.0	14.5	10.3

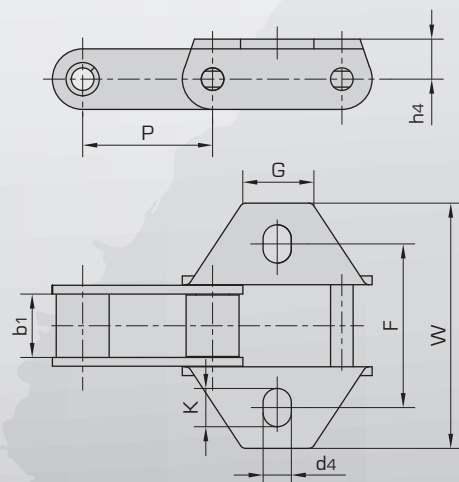
Attachment for CA-type Agricultural roller chains

Donghua Chain No.	P	b ₁	G	F	W	h ₄	d ₄	K
	mm	mm	mm	mm	mm	mm	mm	mm
CA550K39MF2	41.4	19.81	29.5	50.80	71.4	12.7	9.9	13
CA557K39MF2	41.4	20.24	29.5	50.80	71.4	12.7	9.9	13
CA557K39MF6	41.4	20.24	29.5	53.98	74.5	12.7	9.9	13

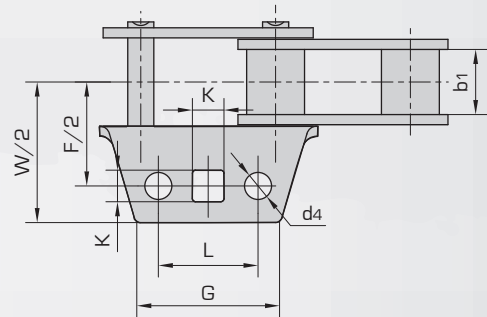
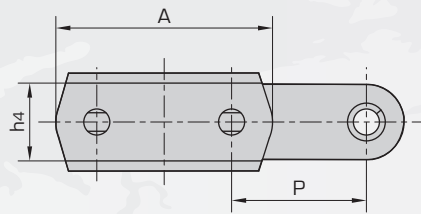


Donghua Chain No.	P	b ₁	G	F	W	h ₄	d ₄
	mm	mm	mm	mm	mm	mm	mm
CA557F1	41.4	20.24	60.0	53.94	76.2	14.6	9.9

Donghua Chain No.	P	b ₁	G	F	W	h ₄	d ₄	K
	mm	mm	mm	mm	mm	mm	mm	mm
CA557F2	41.4	20.24	22.23	53.98	79.3	14.3	9.9	13.6

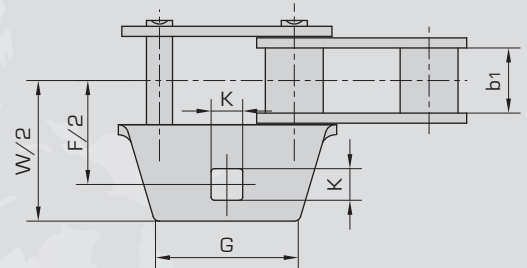
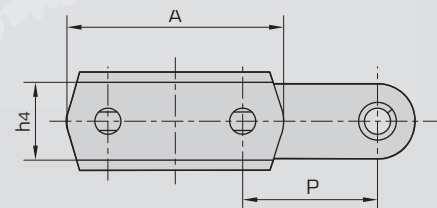


Attachment for CA-type Agricultural roller chains

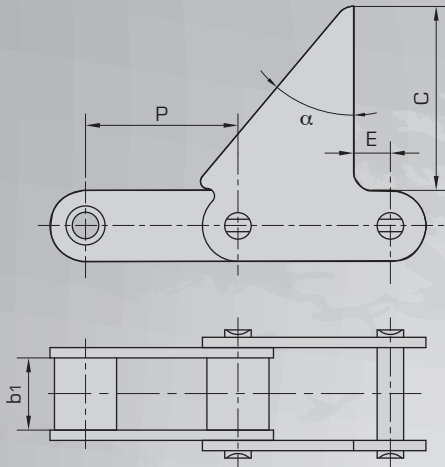


Donghua Chain No.	P	b ₁	A	L	G	F	W	h ₂	d ₄	K
	mm	mm	mm	mm	mm	mm	mm	mm	mm	mm
CA557F3	41.4	20.24	66.55	30.22	44.45	64.14	86.6	23.9	8.25	9.7

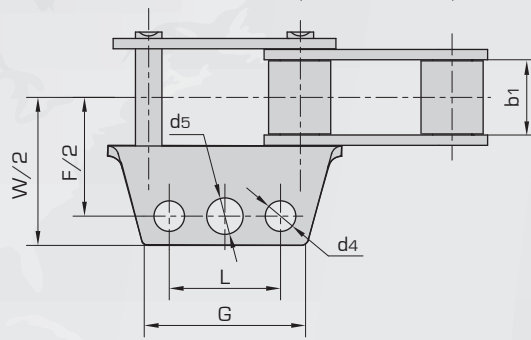
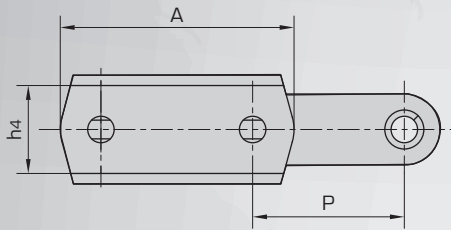
Donghua Chain No.	P	b ₁	G	F	W	h ₄	d ₄	K
	mm	mm	mm	mm	mm	mm	mm	mm
CA557F4	41.4	20.24	66.55	44.45	64.14	86.6	23.9	9.7



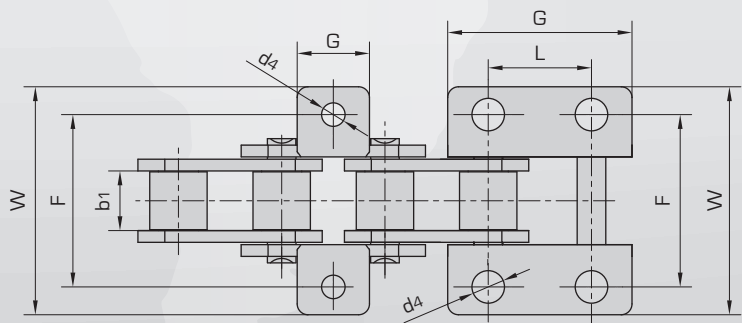
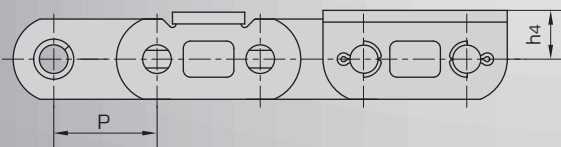
Attachment for CA-type Agricultural roller chains



Donghua Chain No.	P	b ₁	C	α	E
	mm	mm	mm	mm	mm
CA550F6	41.4	19.81	50.0	40°	10
CA550F9	41.4	19.81	40.7	40°	10

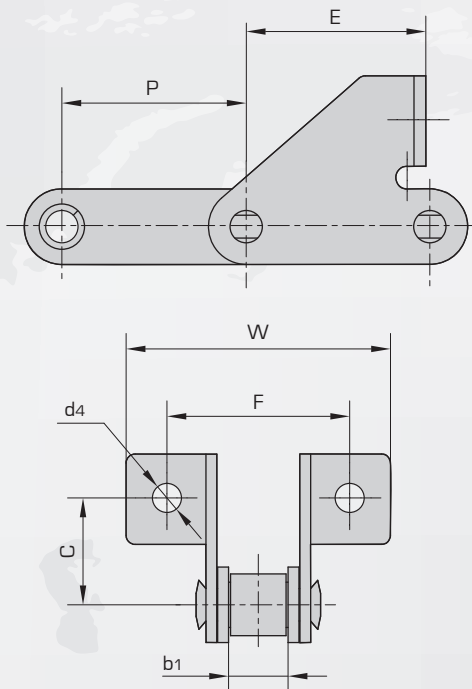


Donghua Chain No.	P	b ₁	A	L	G	F	W	h ₄	d ₄	d ₅
	mm	mm	mm	mm	mm	mm	mm	mm	mm	mm
CA550F7	41.4	19.81	63.5	30.22	44.45	64.1	81.4	23.88	8.25	9.9



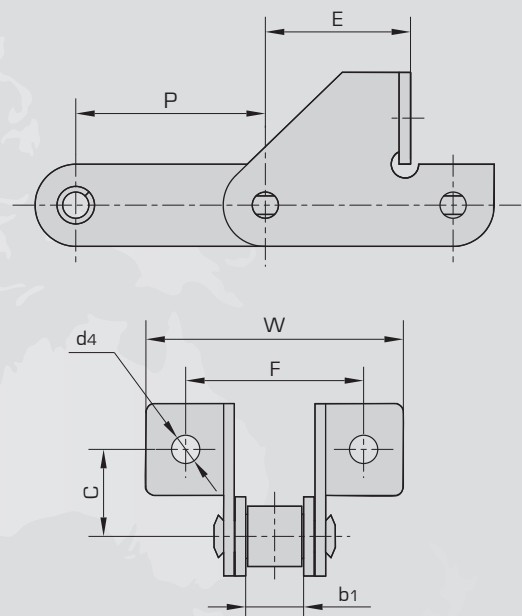
Donghua Chain No.	P	b ₁	L	G	F	W	h ₄	d ₄
	mm	mm	mm	mm	mm	mm	mm	mm
CAE44151S1	28.575	16.200	-	20.0	47.0	61.0	13.0	6.50
CAE44151S2	28.575	16.200	28.58	51.0	47.0	62.4	13.5	9.00

Attachment for CA-type Agricultural roller chains

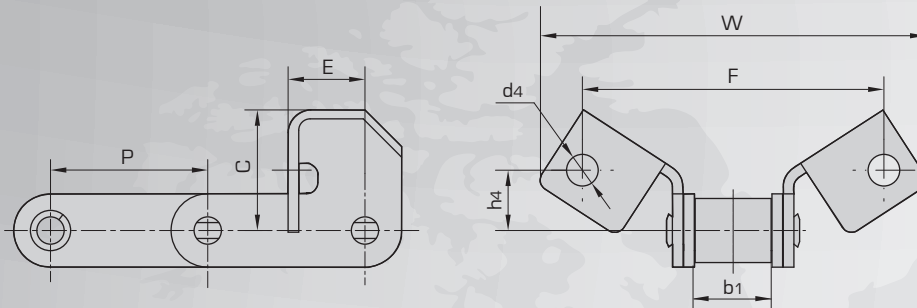


Donghua Chain No.	P	b ₁	E	F	W	C	d ₄
	mm	mm	mm	mm	mm	mm	mm
CA550SD	41.4	19.81	36.9	47.6	68.2	31.0	8.7
CA550SDF4	41.4	19.81	36.9	47.6	89.0	31.0	8.7
CA550SDF10	41.4	19.81	37.7	47.6	68.2	31.0	8.5
CA550F5SDF1	41.4	20.24	36.9	47.6	68.2	31.0	8.7

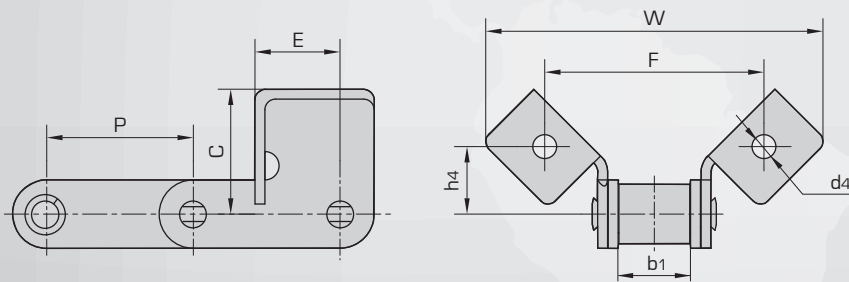
Donghua Chain No.	P	b ₁	E	F	W	C	d ₄
	mm	mm	mm	mm	mm	mm	mm
CA550F5SD	41.4	20.24	33.0	57.8	83.5	20.0	6.7
CA550F8SD	41.4	19.81	33.0	58.0	85.9	20.5	6.5
CA550HSD	41.4	20.00	33.4	58.0	90.0	20.0	6.5
CA550SDF1	41.4	19.81	35.0	58.0	85.0	20.5	8.5
CA550SDF2	41.4	19.81	32.5	62.0	84.0	20.0	8.6
CA550SDF3	41.4	19.81	35.0	58.0	85.0	20.5	6.5
CA550SDF5	41.4	19.81	34.0	63.0	89.0	20.0	8.0
CA550SDF6	41.4	19.81	33.0	58.0	85.0	20.5	6.5
CA550SDF7	41.4	19.81	32.5	62.0	89.0	20.0	8.6
CA550SDF11	41.4	19.81	31.0	58.0	85.0	20.5	8.5
CA550SDF12	41.4	19.81	31.0	58.0	85.0	20.5	6.5
CA550VSD	41.4	19.05	35.0	58.0	88.6	20.5	6.5



Attachment for CA-type Agricultural roller chains

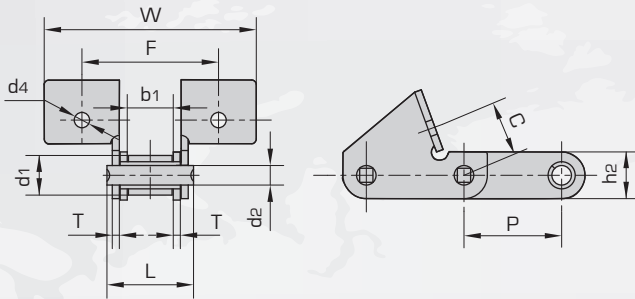


Donghua Chain No.	P	b ₁	E	C	F	W	h ₄	d ₄
	mm	mm	mm	mm	mm	mm	mm	mm
CA550F14	41.4	19.80	20.24	31.75	79.40	101.60	15.90	8.33
CA550F16	41.4	20.00	22.30	39.00	78.00	109.20	17.70	8.00
CA550VF14	41.4	19.05	20.24	31.75	79.40	101.60	15.90	8.33
CA550F5-F14	41.4	20.24	20.24	31.75	79.40	101.60	15.90	8.33
CA550F5-F14SF	41.4	20.24	21.34	31.75	79.40	101.60	15.90	9.91
CA557F14	41.4	20.24	19.60	34.00	79.40	109.80	15.88	8.60
CA557SFD	41.4	20.24	24.30	50.10	79.40	109.80	28.60	8.30
CA557SDF1	41.4	20.24	24.30	50.10	79.40	109.80	28.60	9.53

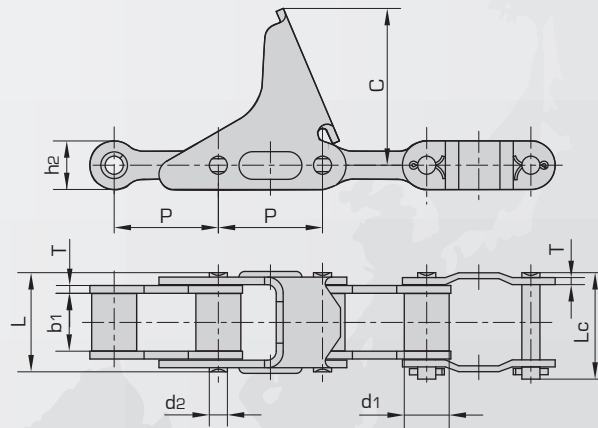


Donghua Chain No.	P	b ₁	E	C	F	W	h ₄	d ₄
	mm	mm	mm	mm	mm	mm	mm	mm
CA550F15	41.4	19.81	24.00	35.26	61.98	95.25	19.05	6.73
CA550F17	41.4	19.81	23.68	40.89	114.30	143.70	20.57	9.91
CA550F18	41.4	19.81	24.00	35.26	61.98	95.25	19.05	8.33
CA550F5-F17	41.4	20.24	23.68	40.89	114.30	143.70	20.57	9.91
CA550F5-G18	41.4	20.24	24.13	20.32	63.50	84.00	8.38	8.38
CA550VF13	41.4	19.05	25.40	59.60	79.35	135.45	28.60	8.74

Attachment for CA-type Agricultural roller chains

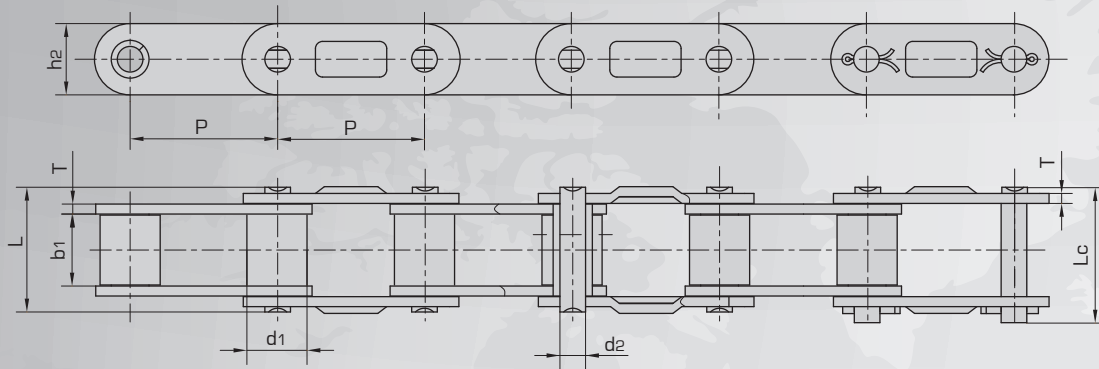


Donghua Chain No.	P	C	F	W	d4
	mm	mm	mm	mm	mm
CA550VF1	41.4	23.4	58	90.0	6.5
CA550F10	41.4	23.4	58	90.0	6.5
CA550HF4	41.4	23.4	58	90.0	6.5

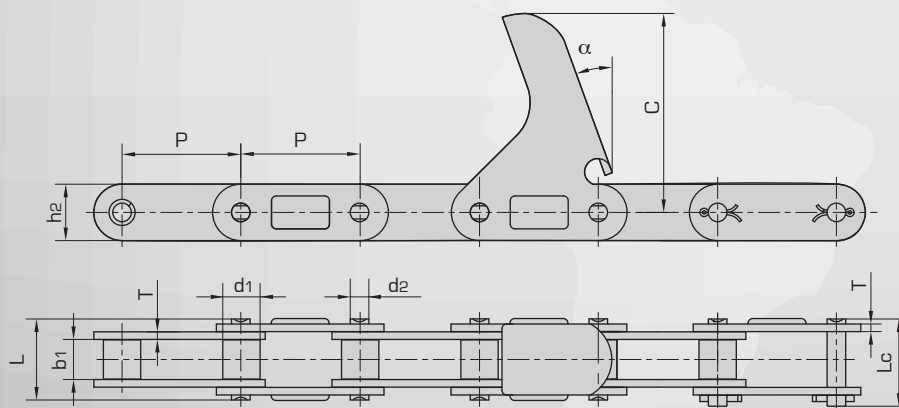


Donghua Chain No.	Pitch	Roller diameter	Width between inner plates	Pin diameter	Pin length		Plate dimension			Ultimate tensile strength	Weight per meter
	p	d1 max	b1 min	d2 max	L max	Lc max	h2 max	T max	C max	Q min	q
	mm	mm	mm	mm	mm	mm	mm	mm	mm	kN/LB	kg/m
CA555F1	41.4	17.85	23.0	8.2	39.5	42.4	20.0	3.0	84.0	39.1/8795	2.99
CA555F2	41.4	17.85	23.0	8.2	39.5	42.4	20.0	3.0	62.5	39.1/8795	2.82

Attachment for CA-type Agricultural roller chains

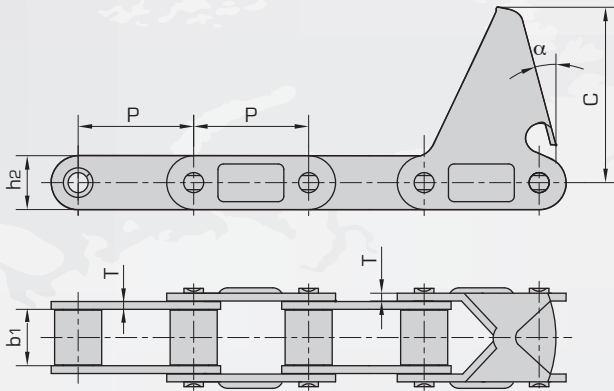


Donghua Chain No.	Pitch	Roller diameter	Width between inner plates	Pin diameter	Pin length		Plate dimension		Ultimate tensile strength	Average tensile strength	Weight per meter
	P	d1 max	b1 min	d2 max	L max	Lc max	h2 max	T max	Q min	Q0	q
	mm	mm	mm	mm	mm	mm	mm	mm	kN/LB	kN	kg/m
CA627	30.00	15.88	19.05	8.28	36.1	39.4	20.5	3.00	50.0/11247	55.0	2.51
CA550D	41.40	16.87	19.81	7.19	35.0	38.0	19.3	2.80	39.10/8886	51.2	1.94
CA555D	41.40	16.87	12.70	7.19	29.1	32.0	19.3	3.10	39.10/8886	56.0	1.72
CA557D	41.40	17.78	20.24	8.00	37.4	40.6	23.1	3.10	55.61/12639	74.3	2.60
CA620D	42.01	17.91	24.51	7.19	41.8	45.2	20.2	3.25	39.10/8886	55.1	2.35



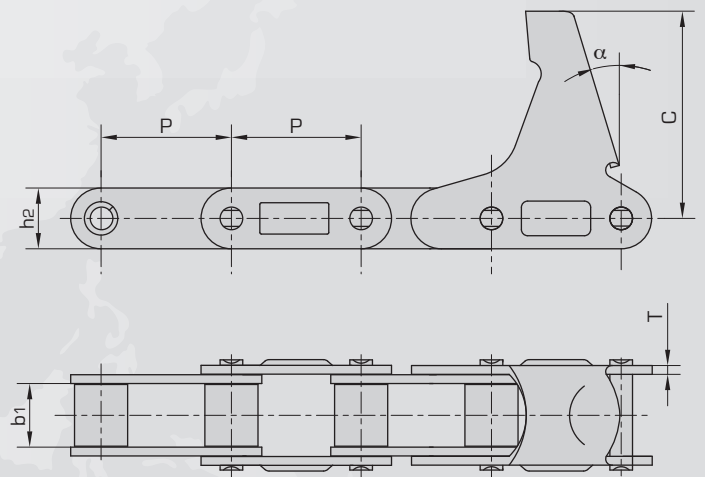
Donghua Chain No.	Pitch	Roller diameter	Width between inner plates	Pin diameter	Pin length		Plate dimension				Ultimate tensile strength	Weight per meter
	P	d1 max	b1 min	d2 max	L max	Lc max	h2 max	T max	C max	α	Q min	q
	mm	mm	mm	mm	mm	mm	mm	mm	mm	mm	kN/LB	kg/m
CA2060-C6E	38.1	11.91	12.57	5.94	25.9	28.3	18.0	2.42	63.5	20°	31.1/6996	1.40
CA2060H-C6E	38.1	11.91	12.57	5.94	31.0	31.6	18.0	3.25	63.5	22.5°	31.1/6996	1.78

Attachment for CA-type Agricultural roller chains

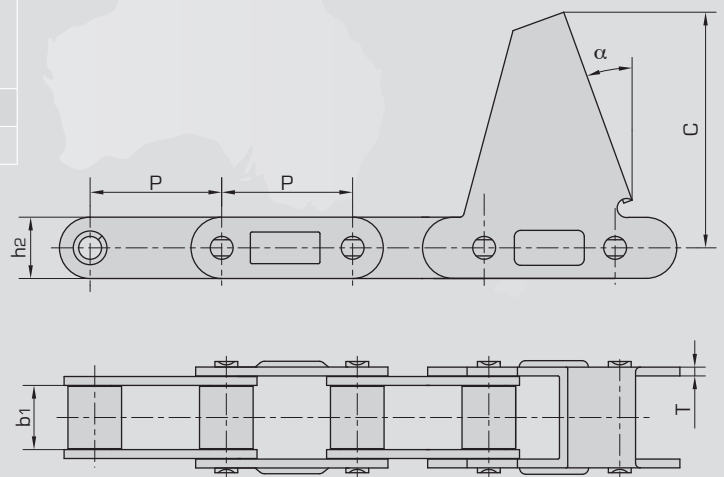


Donghua Chain No.	P	b ₁	h ₂	T	C	α
	mm	mm	mm	mm	mm	
CA550-6E	41.40	19.81	19.30	2.80	55.6	20°
CA550-C11E	41.40	19.81	19.30	2.80	63.5	15°
CA550-C11EJ	41.40	19.81	19.30	2.80	66.0	17°
CA550-C13E	41.40	19.81	19.30	2.80	92.0	15°
CA550F4-C6E	41.40	20.24	19.05	2.80	55.6	22.5°
CA550-C6EF1	41.40	19.81	19.30	2.80	50.0	15°
CA620-C13E	42.01	24.51	20.20	3.25	92.0	15°

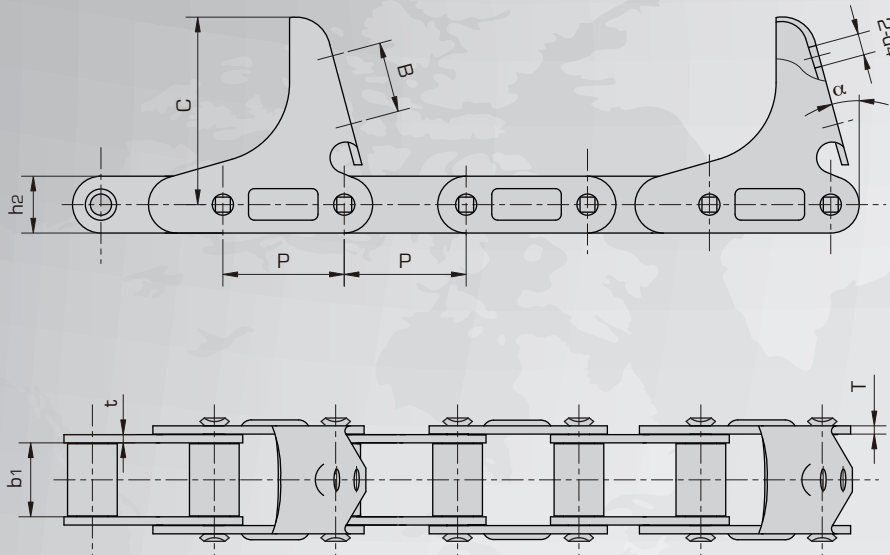
Donghua Chain No.	P	b ₁	h ₂	T	C	α
	mm	mm	mm	mm	mm	
CA550-LV41N	41.4	19.81	19.3	2.8	68.5	15°



Donghua Chain No.	P	b ₁	h ₂	T	C	α
	mm	mm	mm	mm	mm	
CA550-CPE	41.4	19.81	19.3	2.8	74.5	20°



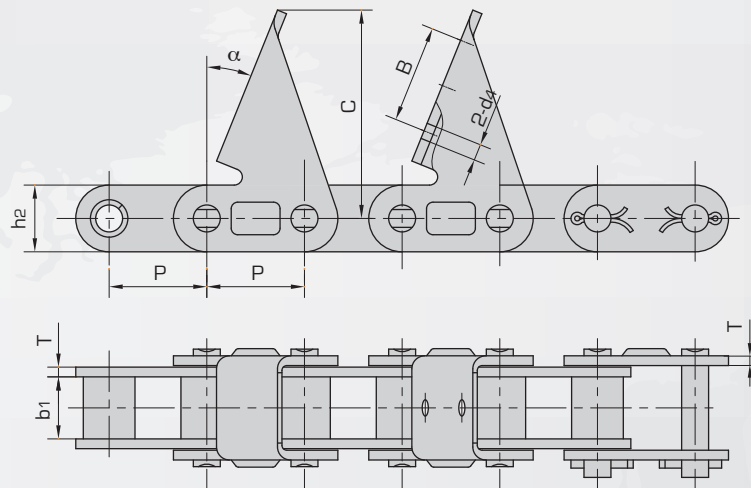
Attachment for CA-type Agricultural roller chains



Donghua Chain No.	P	b ₁	h ₂	T	C	B	d ₄	α
	mm	mm	mm	mm	mm	mm	mm	
CA555-C6E	41.4	12.70	19.30	3.10	63.50	-	-	15°
CA555-C6EJ	41.4	12.70	19.30	3.25	66.00	25.40	7.30	15°
CA555-C6EJF1	41.4	12.70	19.30	3.10	66.00	25.40	5.50	15°

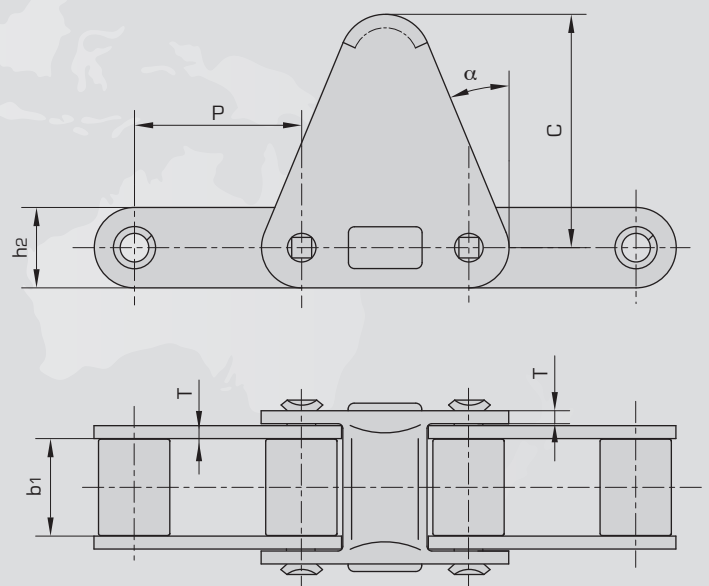


Attachment for CA-type Agricultural roller chains

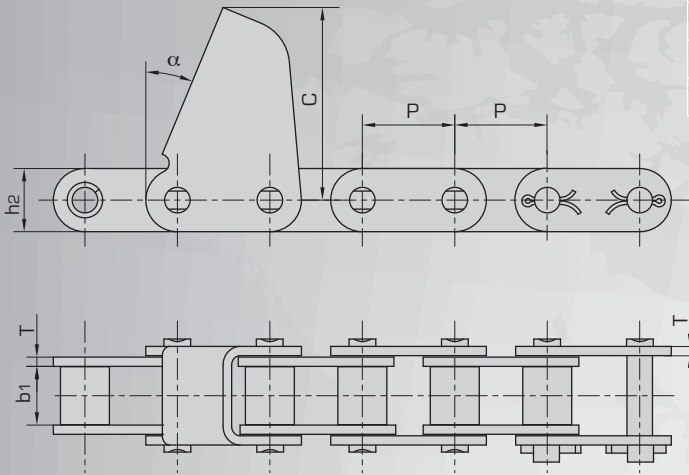


Donghua Chain No.	P	b ₁	h ₂	B	d ₄	T	C	α
	mm	mm	mm	mm	mm	mm	mm	
CA627-CPE	30.0	19.05	20.5	-	-	3.0	64.0	22°
CA627-CPEF3	30.0	19.05	20.5	30.0	5.0	3.0	64.0	22°

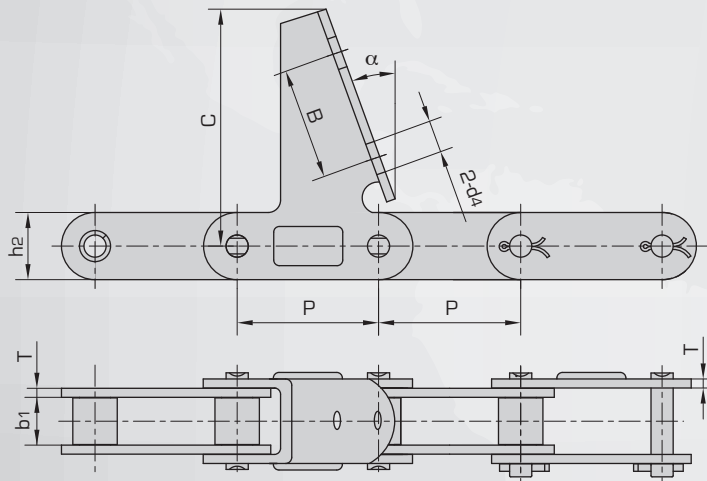
Donghua Chain No.	P	b ₁	h ₂	T	C	α
	mm	mm	mm	mm	mm	
CA620-C30E	42.01	24.51	20.2	3.25	58.7	22.5°



Attachment for CA-type Agricultural roller chains

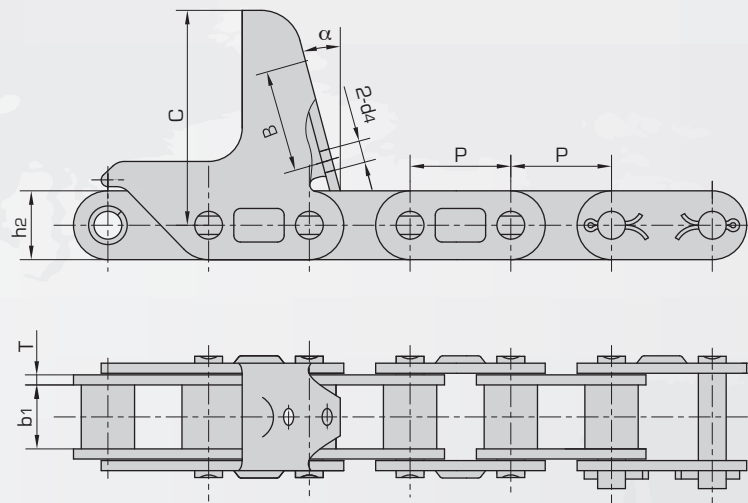


Donghua Chain No.	P	b ₁	h ₂	T	C	α
	mm	mm	mm	mm	mm	
CA627-CPEF1	30.0	19.05	20.5	3.0	62.5	22.5°
CA627-CPEF2	30.0	19.60	20.5	3.0	62.5	22.5°
CA627-CPEF9	30.0	19.05	20.5	3.0	62.5	22.0°

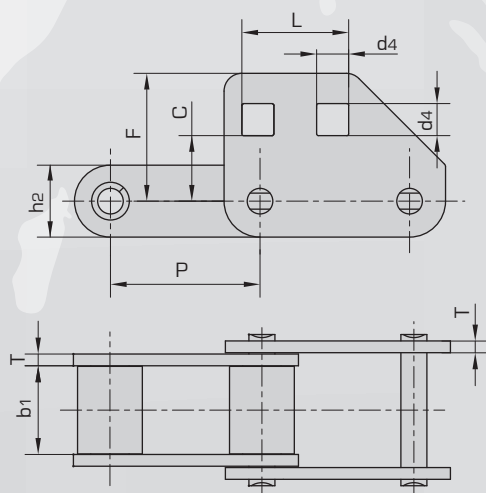


Donghua Chain No.	P	b ₁	h ₂	d ₄	T	B	C	α
	mm	mm	mm	mm	mm	mm	mm	
CA2060H-7AUE	38.1	12.57	18.0	8.5	3.25	30	57.2	22.5°
CA550-CPEF1	41.4	19.81	19.3	-	2.80	-	63.5	15.0°

Attachment for CA-type Agricultural roller chains

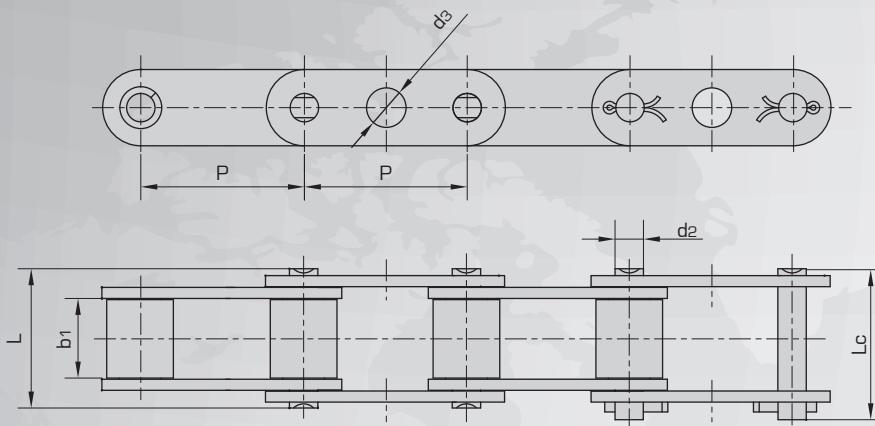


Donghua Chain No.	P	b1	h2	B	d4	T	C	α
	mm	mm	mm	mm	mm	mm	mm	
CA627-M40A	30.0	19.05	20.5	36.1	6.5	3.0	63.0	15.0°
CA627-CPEF7	30.0	19.05	20.5	35.5	6.5	3.0	63.0	15.0°
CA627-CPEF11	30.0	19.05	20.5	30.0	6.5	3.0	63.0	22.5°

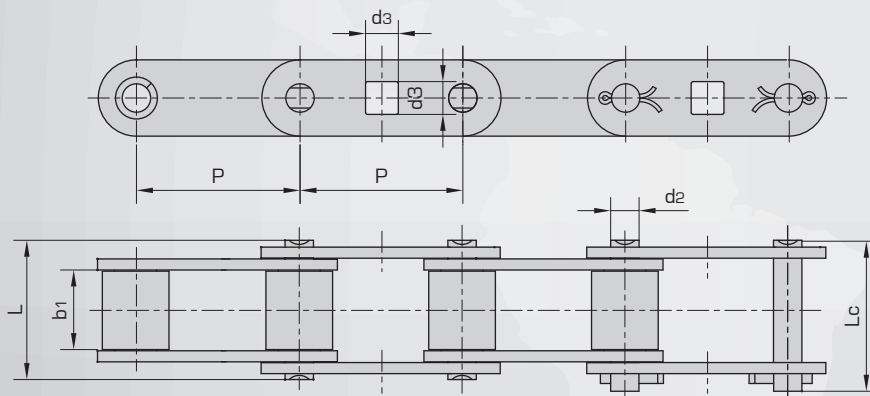


Donghua Chain No.	P	b1	L	T	C	F	d4
	mm	mm	mm	mm	mm	mm	mm
CA620F2	42.01	24.51	30	3.25	18.4	35.9	9

Attachment for CA-type Agricultural roller chains

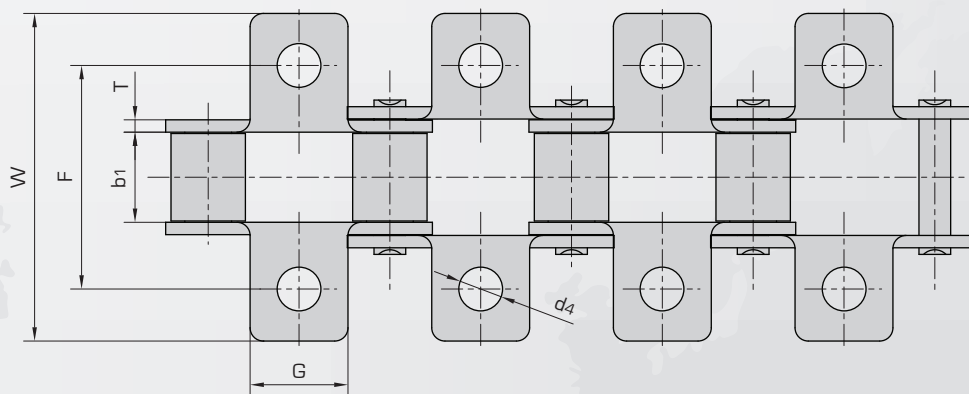
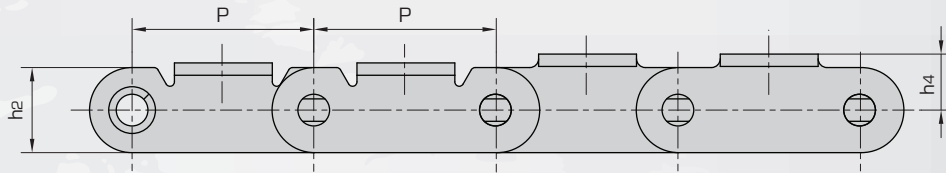


Donghua Chain No.	P	b ₁	d ₂	d ₃	L	L _c
	mm	mm	mm	mm	mm	mm
CA550GKF1	41.4	19.81	7.19	10	35	38



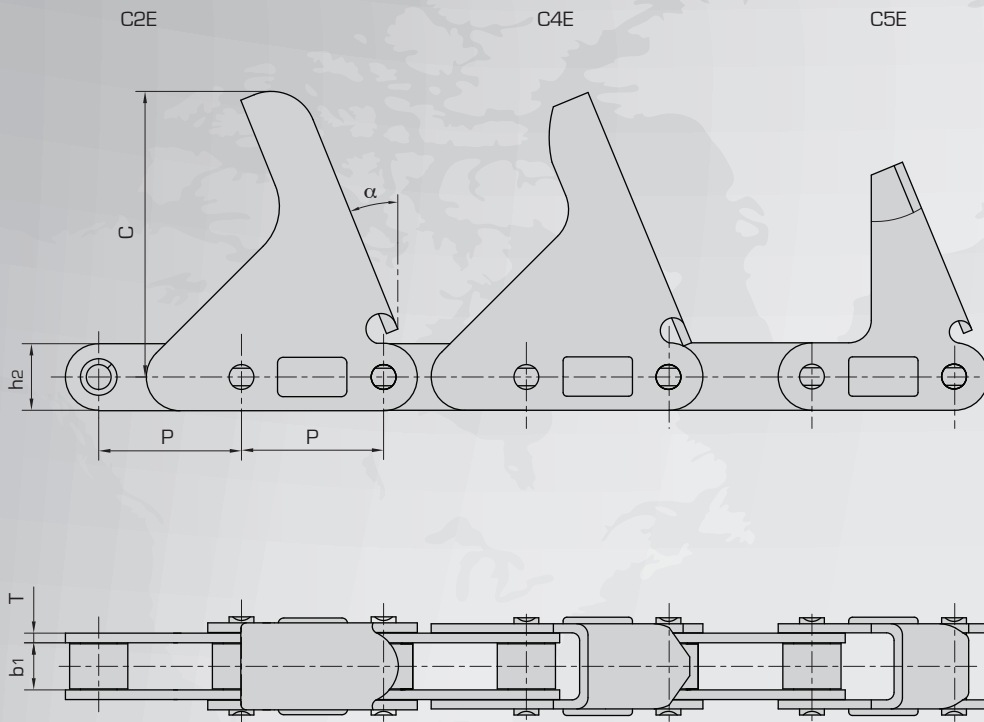
Donghua Chain No.	P	b ₁	d ₂	d ₃	L	L _c
	mm	mm	mm	mm	mm	mm
CA550GKF2	41.4	19.81	7.19	8.3	35	38

Attachment for CA-type Agricultural roller chains



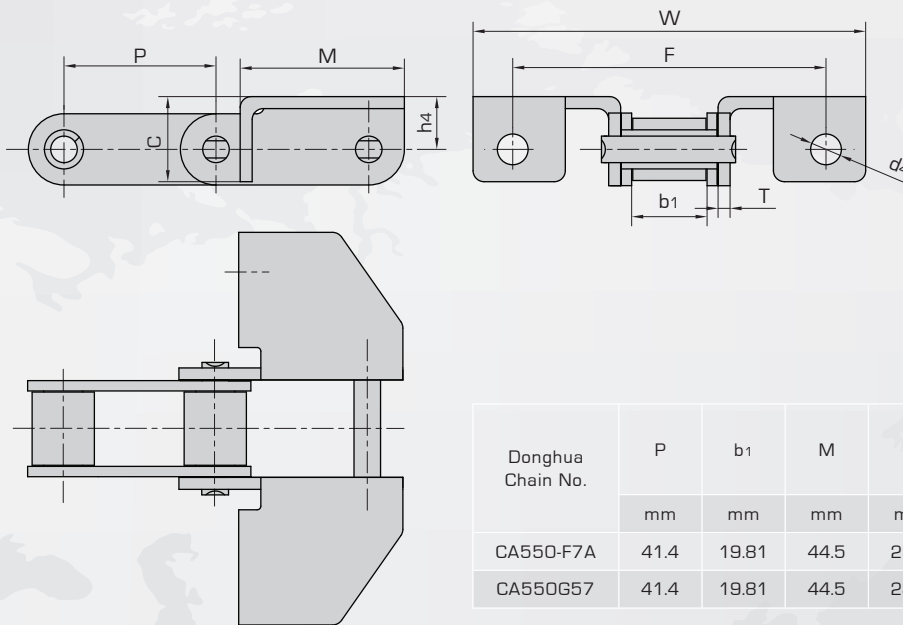
Donghua Chain No.	P	b ₁	G	F	W	h ₂	h ₄	T	d ₄
	mm	mm	mm	mm	mm	mm	mm	mm	mm
CA550K11	41.40	19.81	22.2	50.8	75.4	19.3	10.7	2.80	9.92
CA550K1F8	41.40	19.81	22.2	50.8	75.4	19.3	10.7	2.80	6.75
CA550K17	41.40	19.81	22.2	54.0	76.2	19.3	12.7	2.80	6.75
CA550K20	41.40	19.81	22.2	50.8	76.2	19.3	12.7	2.80	6.75
CA550K20	41.40	19.81	22.2	54.0	76.2	19.3	12.7	2.80	9.53
CA620K1F2	42.01	24.51	22.2	62.7	80.2	20.2	11.5	3.25	6.75
CA620KIS	42.01	24.51	22.2	62.7	80.2	20.2	11.5	3.25	8.33

Attachment for CA-type Agricultural roller chains

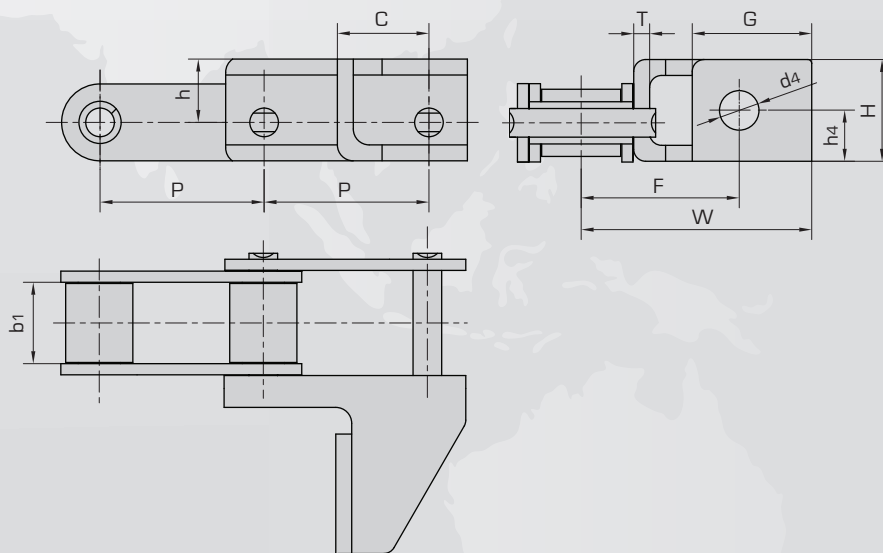


Donghua Chain No.	P	b ₁	h ₂	T	C	α
	mm	mm	mm	mm	mm	mm
CA2060H-C2E	38.1	12.57	18.0	3.25	76.2	22.5°
CA2060H-C4E	38.1	12.57	18.0	3.25	75.8	22.5°
CA2060H-C5E	38.1	12.57	18.0	3.25	57.2	22.5°

Attachment for CA-type Agricultural roller chains

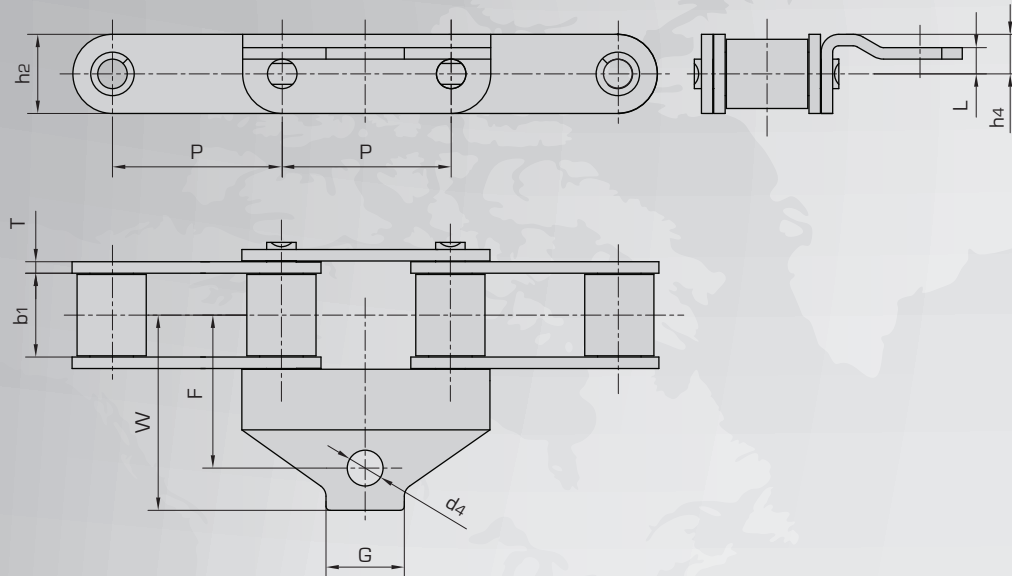


Donghua Chain No.	P	b ₁	M	C	F	W	T	h ₄	d ₄
	mm	mm	mm	mm	mm	mm	mm	mm	mm
CA550-F7A	41.4	19.81	44.5	23.3	84.9	106.4	3.25	14.3	8.33
CA550G57	41.4	19.81	44.5	23.3	-	106.4	3.25	14.3	-

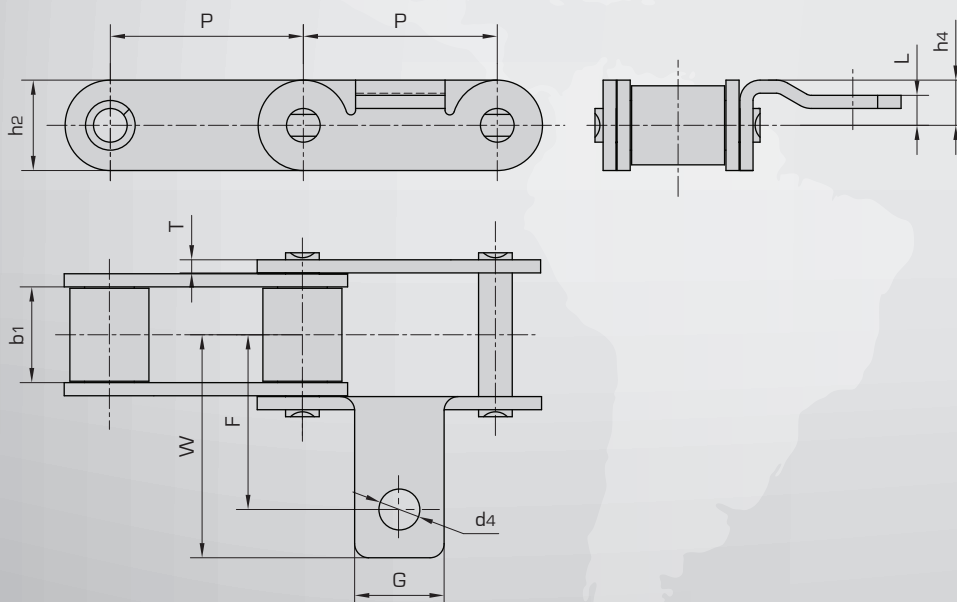


Donghua Chain No.	P	b ₁	C	h	H	G	h ₄	F	W	T	d ₄
	mm	mm	mm	mm	mm	mm	mm	mm	mm	mm	mm
CA550-G50	41.4	19.81	23.0	17.5	27.2	30.0	12.9	39.7	57.9	4.0	9.92
CA550-G50S	41.4	19.81	23.0	15.9	25.6	30.0	12.9	39.7	57.9	4.0	9.92

Attachment for CA-type Agricultural roller chains

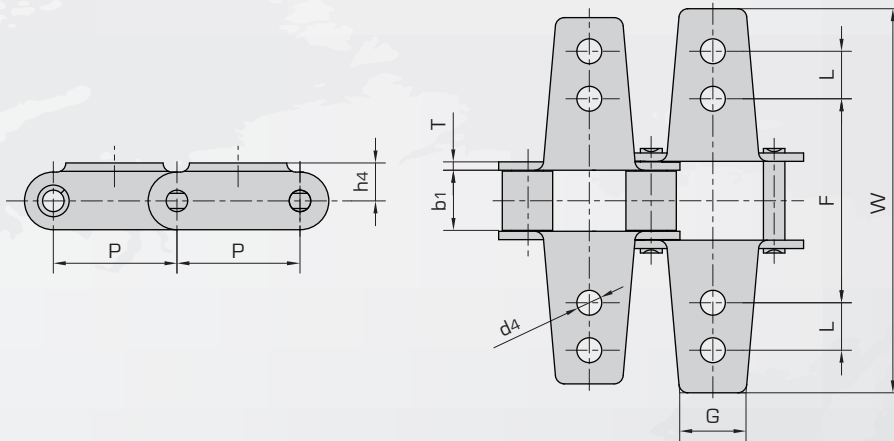


Donghua Chain No.	P	b ₁	G	F	W	h ₂	L	h ₄	T	d ₄
	mm	mm	mm	mm	mm	mm	mm	mm	mm	mm
CA550AH	41.4	19.81	19.1	37.3	47.6	19.3	6.4	9.65	2.8	8.73

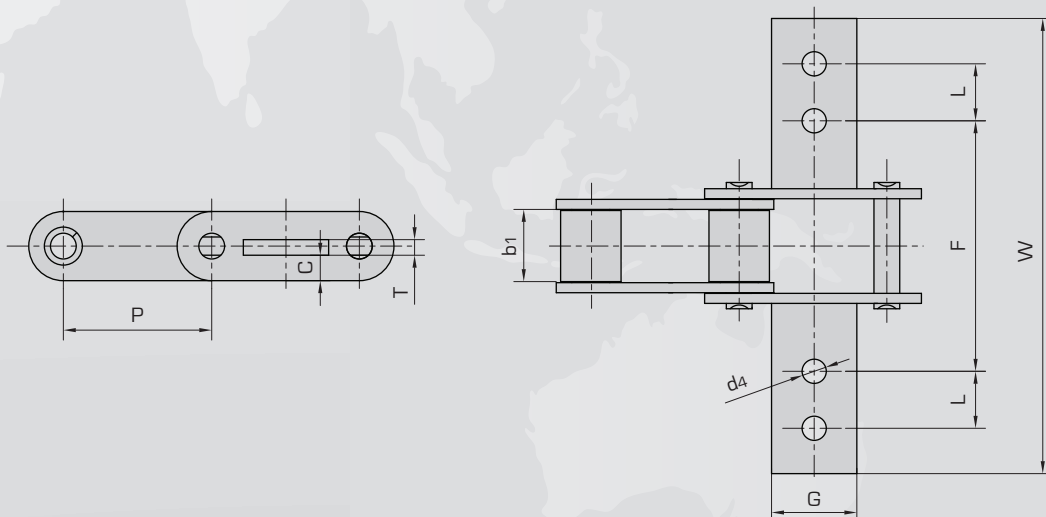


Donghua Chain No.	P	b ₁	G	F	W	h ₂	L	h ₄	T	d ₄
	mm	mm	mm	mm	mm	mm	mm	mm	mm	mm
CA550AID	41.40	19.81	19.1	37.3	47.6	19.3	6.4	9.65	2.8	8.73

Attachment for CA-type Agricultural roller chains

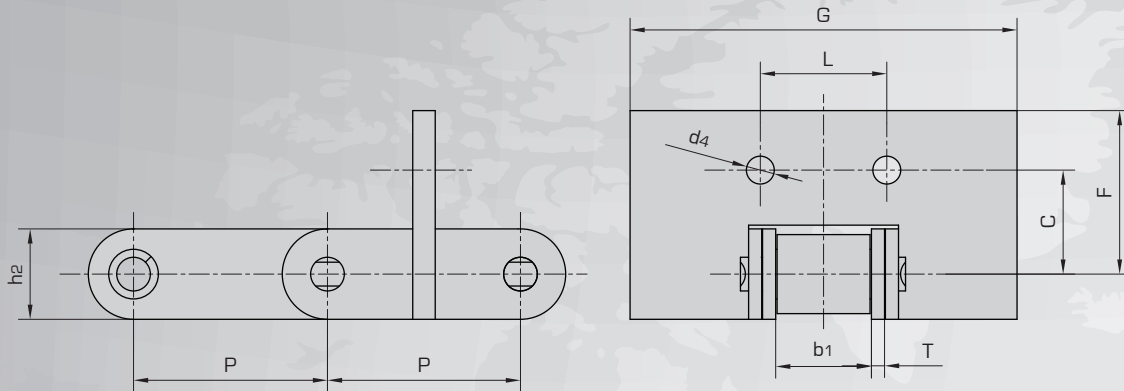


Donghua Chain No.	P	b ₁	L	G	F	W	h ₄	T	d ₄
	mm	mm	mm	mm	mm	mm	mm	mm	mm
CA550K6	41.40	19.81	15.9	22.2	68.3	128.6	12.7	2.80	8.33
CA620K12	42.01	24.51	15.9	22.2	69.9	130.2	23.8	3.25	6.75

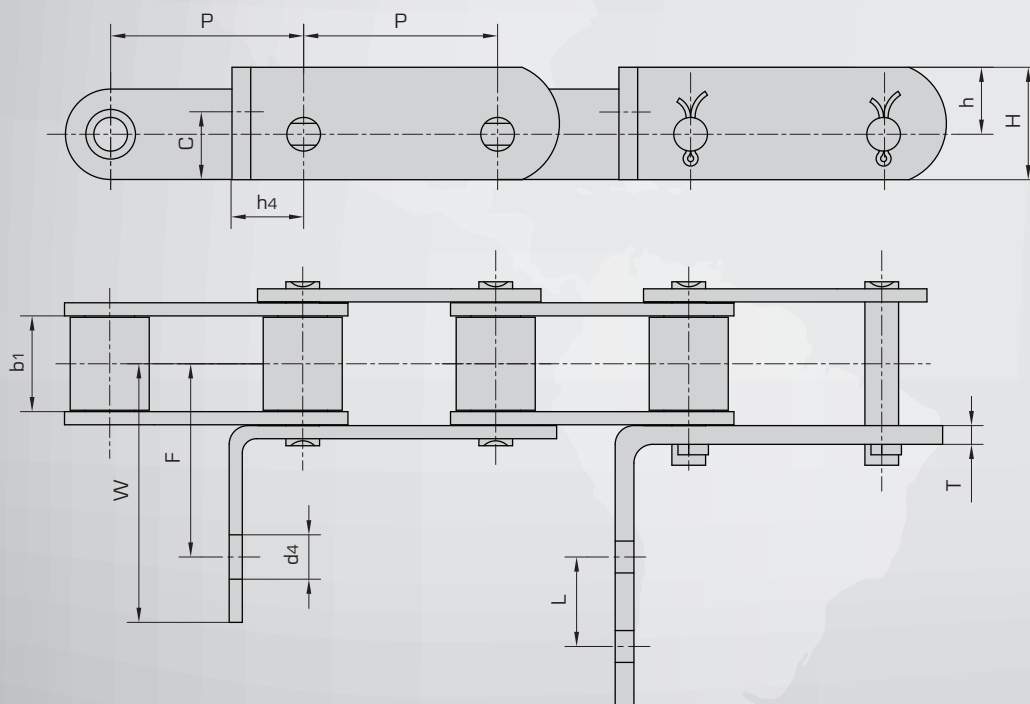


Donghua Chain No.	P	b ₁	G	L	F	W	T	C	d ₄
	mm	mm	mm	mm	mm	mm	mm	mm	mm
CA550K8	41.40	19.81	23.8	15.9	69.9	127.0	4.3	7.1	6.75
CA550K9	41.40	19.81	23.8	15.9	69.9	127.0	4.3	7.9	6.75

Attachment for CA-type Agricultural roller chains

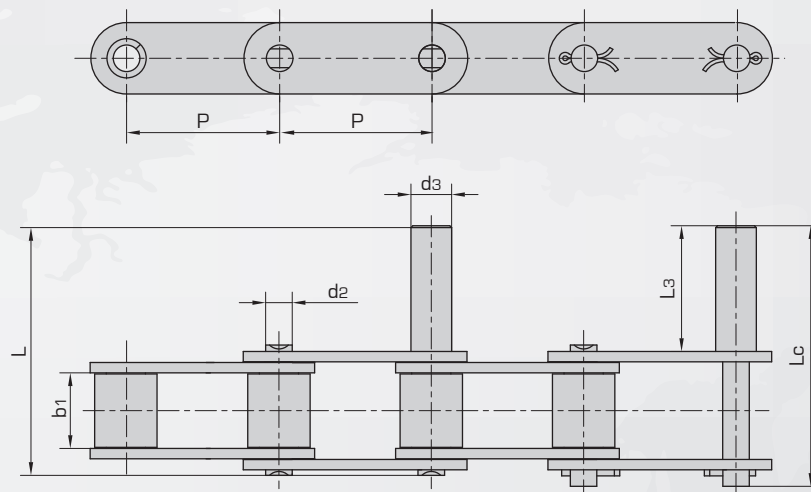


Donghua Chain No.	P	b ₁	C	F	L	G	h ₂	T	d ₄
	mm	mm	mm	mm	mm	mm	mm	mm	mm
CA550F11	41.4	19.81	22.2	34.9	27.0	82.6	19.3	2.8	5.95



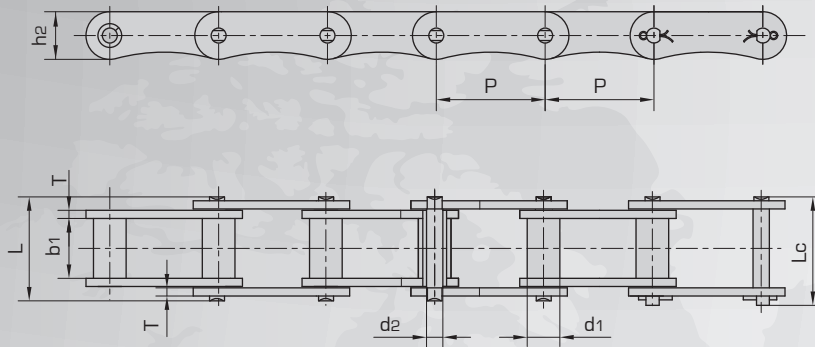
Donghua Chain No.	P	b ₁	C	h	H	h ₄	F	L	W	T	d ₄
	mm	mm	mm	mm	mm	mm	mm	mm	mm	mm	mm
CA550-GX	41.4	19.81	14.5	14.3	24.0	15.5	41.7	19.1	73.4	4.00	6.75
CA550-G27	41.4	19.81	14.5	14.3	24.0	15.9	41.7	-	55.2	2.80	8.33
CA550-G27S	41.4	19.81	14.5	14.3	24.0	15.9	41.7	-	55.2	3.25	8.33

Attachment for CA-type Agricultural roller chains

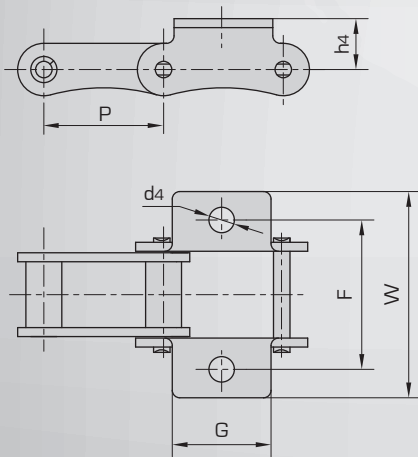


Donghua Chain No.	P	b ₁	d ₂	d ₃	L ₃	L	L _c
	mm	mm	mm	mm	mm	mm	mm
CA550-D1	41.40	19.81	7.19	12.70	50.80	84.5	87.5
CA550-D2	41.40	19.81	7.19	7.19	31.75	65.4	68.4
CA550-D4	41.40	19.81	7.19	11.00	34.00	67.7	70.7

Special agricultural chains with attachment



Donghua Chain No.	Pitch	Roller diameter	Width between inner plates	Pin diameter	Pin length		Plate depth	Plate thickness	Ultimate tensile strength	Weight per meter
	P	d1 max	b1 min	d2 max	L max	Lc max	h2 max	T max	Q min	q
	mm	mm	mm	mm	mm	mm	mm	mm	kN/LB	kg/m
LV40	40.0	12.0	22.0	6.0	38.2	41.0	17.5	3.0	31.4/7136	1.53



Donghua Chain No.	P	G	F	W	h4	d4
	mm	mm	mm	mm	mm	mm
LV40K1	40.0	33.0	50.0	69.0	17.0	8.5

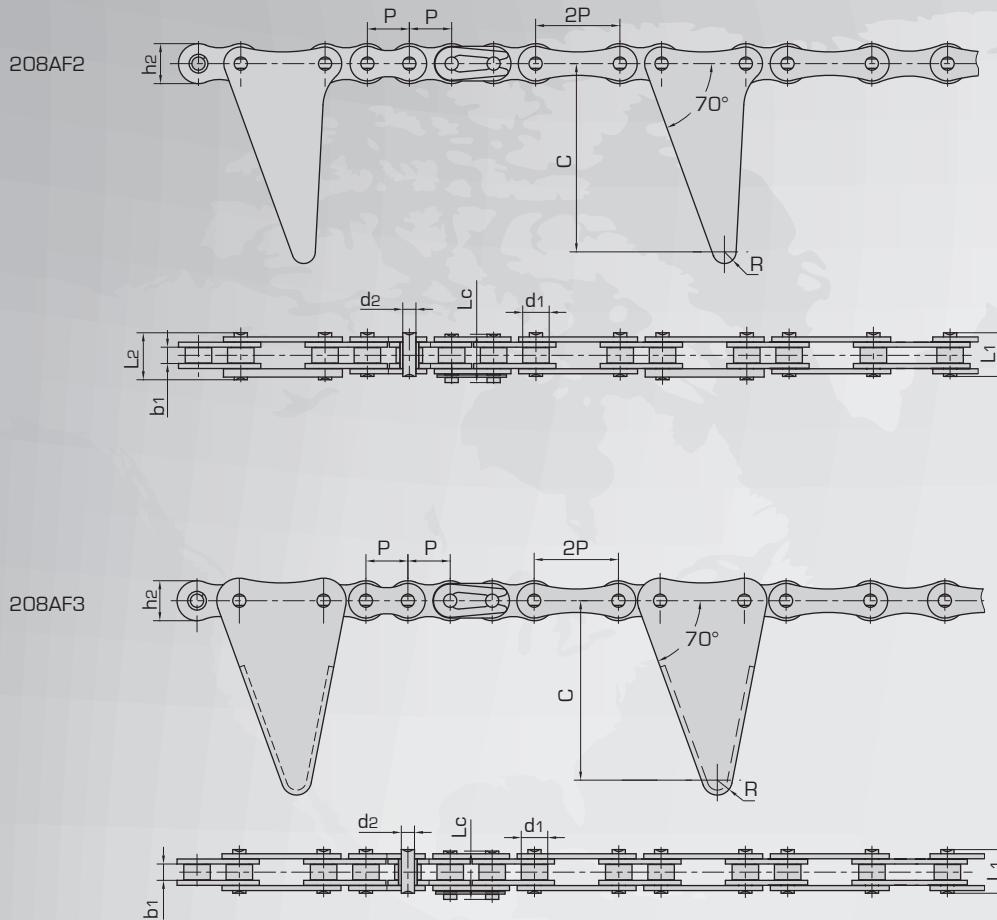


Special combine chains



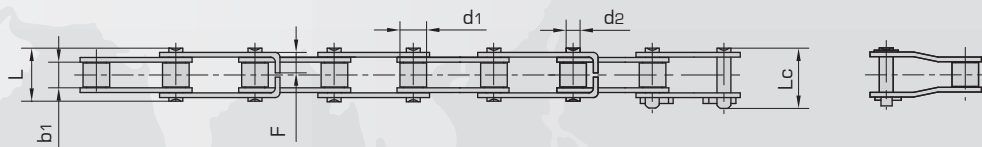
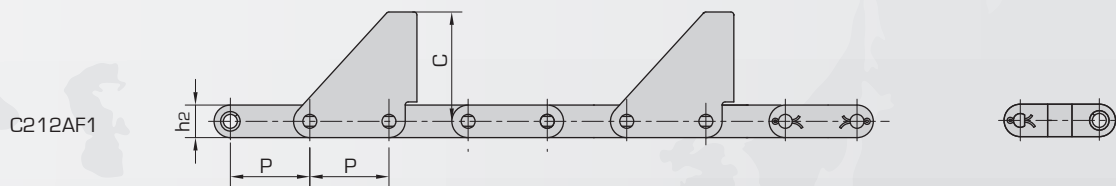
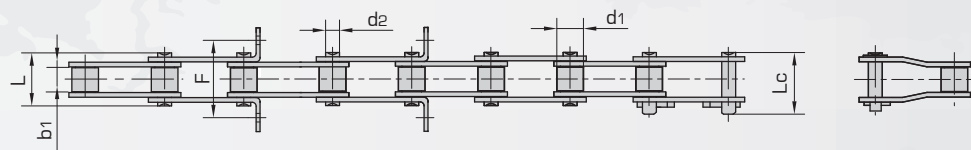
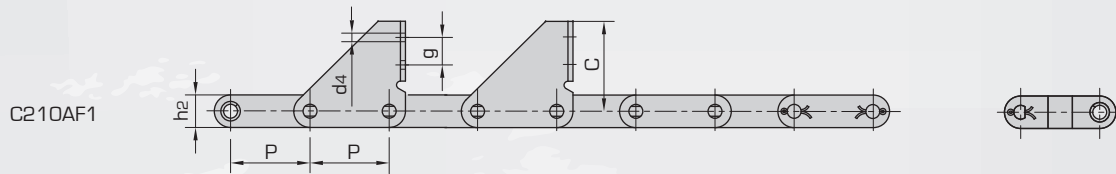


Special combine chains



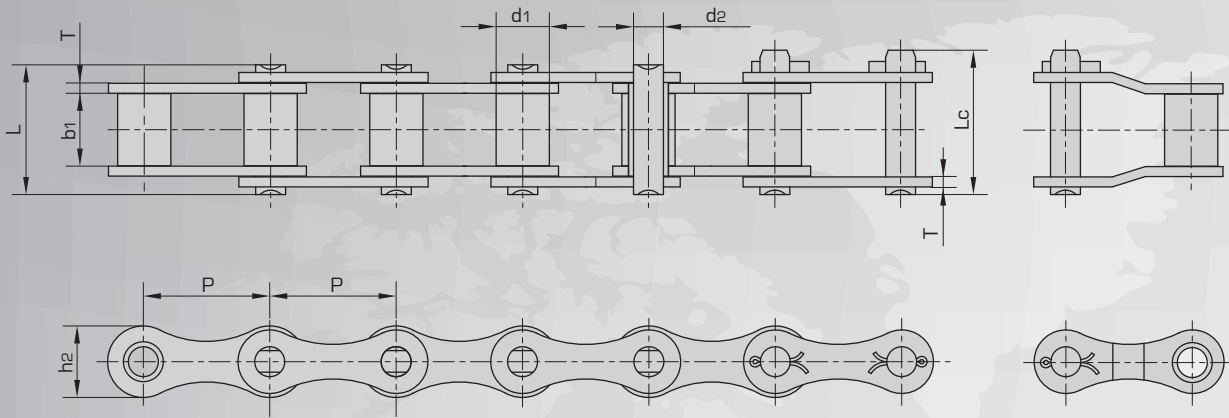
Donghua Chain No.	Pitch	Roller diameter	Width between inner plates	Pin diameter	Pin length			Inner plate depth	Attachment dimension		Ultimate tensile strength	Average tensile strength
	P	d1 max	b1 min	d2 max	L1 max	L2 max	Lc max	h2 max	C	R	Q min	Q0
	mm	mm	mm	mm	mm	mm	mm	mm	mm	mm	kN/LB	kN
208AF2	12.7	7.95	4.80	3.96	13.1	14.7	14.5	12.0	56.5	3.5	13.8/3136	16.0
208AF3	12.7	7.95	4.80	3.96	13.1	-	14.5	12.0	60.5	4.5	13.8/3136	16.0
208AF3A	12.7	7.95	7.85	3.96	16.6	-	17.8	12.0	60.5	4.5	13.8/3136	16.0

Special combine chains

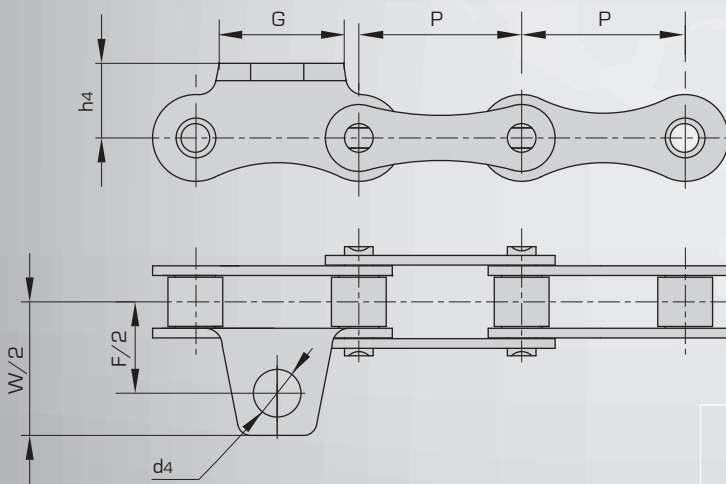


Donghua Chain No.	Pitch	Roller diameter	Width between inner plates	Pin diameter	Pin length		Inner plate depth	Attachment dimension				Ultimate tensile strength	Average tensile strength
	p	d_1 max	b_1 min	d_2 max	L max	L_c max	h_2 max	F	C	d_4	g	Q_{min}	Q_0
	mm	mm	mm	mm	mm	mm	mm	mm	mm	mm	mm	kN/LB	kN
C210AF1	31.75	10.16	9.40	5.08	20.7	23.3	15.0	35.20	54.0	7.0	23.0	21.8/4955	28.5
C212AF1	38.10	11.91	12.57	5.94	25.9	28.3	18.0	10.92	56.0	-	-	31.1/7068	38.7

ZGS38 combine chain with attachments



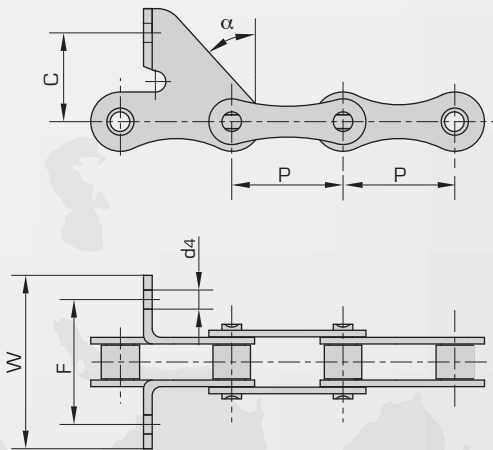
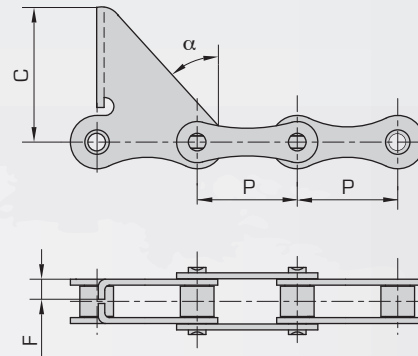
Donghua Chain No.	Pitch	Roller diameter	Width between inner plates	Pin diameter	Pin length		Inner plate depth	Plate thickness	Ultimate tensile strength	Average tensile strength	Weight per meter
	P	d1 max	b1 min	d2 max	L max	Lc max	h2 max	T max	Q min	Q0	q
	mm	mm	mm	mm	mm	mm	mm	mm	kN/LB	kN	kg/m
ZGS38	38.0	16.0	22.00	9.0	39.0	43.0	21.5	3.0	40.0/9091	55.3	2.00



Donghua Chain No.	P	G	F	W	h4	d4
	mm	mm	mm	mm	mm	mm
ZGS38F2	38.0	17.2	59.0	78.1	19.6	11

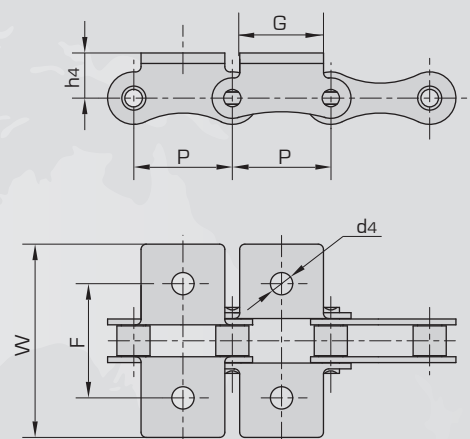
ZGS38 combine chain with attachments

Donghua Chain No.	P	C	F	α
	mm	mm	mm	
ZGS38F1	38.0	60.0	14.0	32.5°

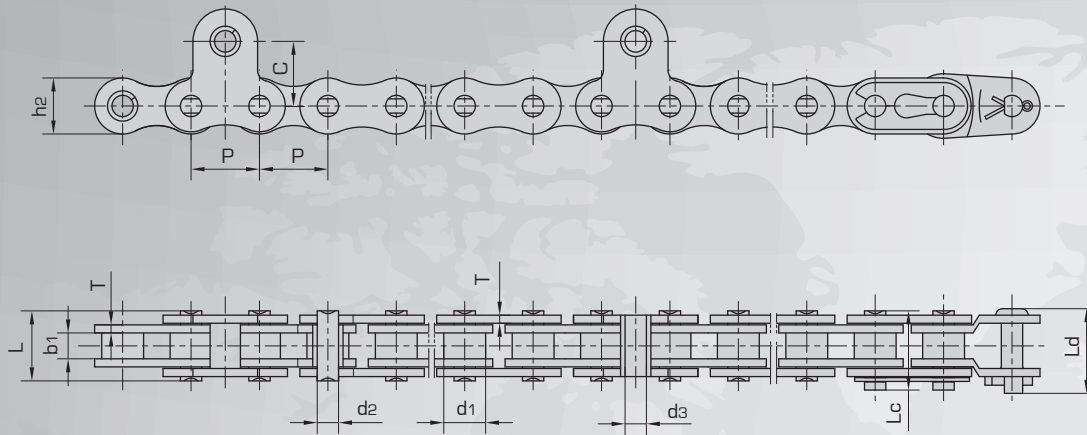


Donghua Chain No.	P	G	F	W	α	d4
	mm	mm	mm	mm		mm
ZGS38F3	38.0	30.0	52.0	68.4	43.5°	6.5

Donghua Chain No.	P	G	F	W	h4	d4
	mm	mm	mm	mm	mm	mm
ZGS38K1	38.0	32.0	53.0	83.2	20.0	8.5

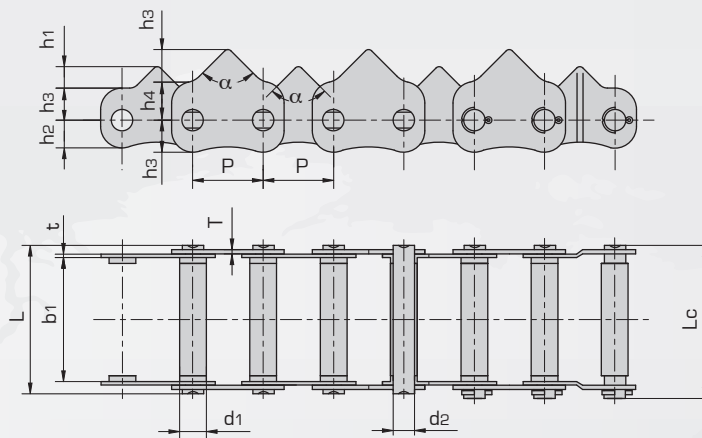


Rice harvester chains

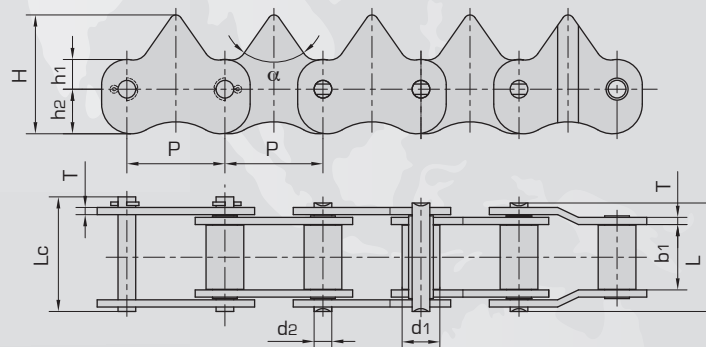


Donghua Chain No.	Pitch	Roller diameter	Width between inner plates	Pin diameter	Pin length			Inner plate depth	Plate thickness	Attachment dimension		Ultimate tensile strength	Average tensile strength
	P	d1 max	b1 min	d2 max	L max	Lc max	Ld max	h2 max	T max	d3 nom	C	Q min	Qo
	mm	mm	mm	mm	mm	mm	mm	mm	mm	mm	mm	kN/LB	kN
415F1	12.7	7.77	4.90	3.64	11.0	12.1	12.95	9.5	1.1	4.02	12.0	6.86/1559	8.1
415F2	12.7	7.77	4.90	3.64	11.0	12.1	12.95	9.5	1.1	4.02	12.0	6.86/1559	8.1
415F3	12.7	7.77	4.90	3.64	11.0	12.1	12.95	9.5	1.1	4.02	12.0	6.86/1559	8.1
415F4	12.7	7.77	4.68	3.62	11.8	-	-	9.6	1.3	4.00	12.0	10.30/2341	12.1
415F5	12.7	7.77	4.68	3.63	11.8	13.0	14.00	9.6	1.3	4.00	12.0	10.30/2341	12.1
415S	12.7	7.77	4.80	3.96	12.8	14.3	15.70	12.0	1.5	4.02	12.0	15.69/3566	16.3
415S-A	12.7	7.77	4.90	3.96	12.8	14.3	15.70	12.0	1.5	4.02	12.0	13.80/3136	16.3
415SF1	12.7	7.77	4.80	3.96	13.0	14.5	-	10.4	1.5	4.50	12.0	13.93/3166	16.3
415SF2	12.7	7.77	4.80	3.96	13.0	14.5	-	10.4	1.5	4.50	12.0	13.93/3166	16.3
415SF3	12.7	7.77	4.80	3.96	12.8	14.3	15.70	12.0	1.5	4.02	12.0	15.69/3566	16.3
415SF4	12.7	7.77	4.80	3.96	13.0	14.5	15.70	12.0	1.5	4.00	12.0	13.80/3136	16.3
420JF1	12.7	7.77	6.25	3.96	14.7	16.1	18.50	12.0	1.5	4.00	12.0	16.00/3636	18.8
415SF6	12.7	7.77	4.80	3.96	13.0	14.5	15.70	10.4	1.5	4.00	12.0	13.93/3166	16.3

Rice harvester chains

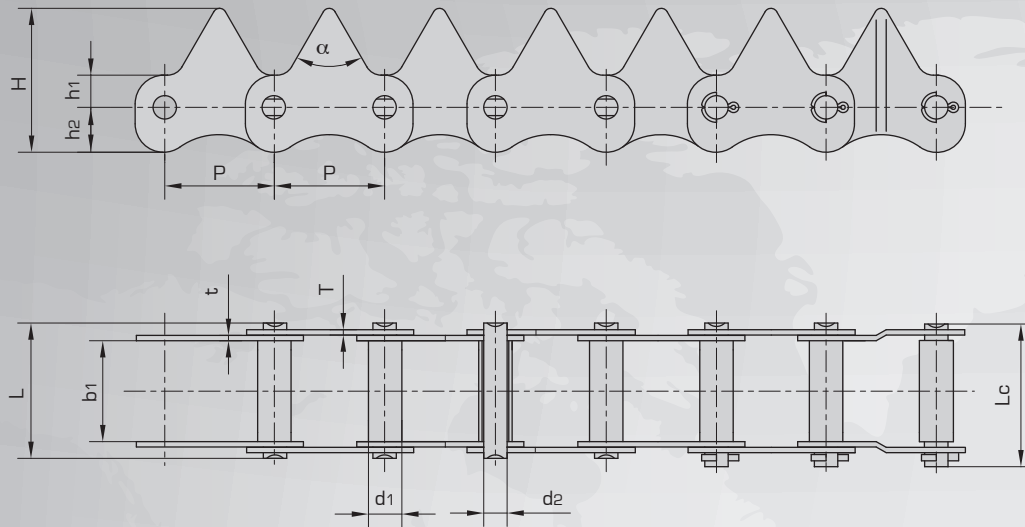


Donghua Chain No.	Pitch	Roller diameter	Width between inner plates	Pin diameter	Pin length		Tooth angle	Plate dimension				Plate thickness	Ultimate tensile strength	Average tensile strength
	P	d_1 max	b_1 min	d_2 max	L max	L_c max	α	h_1	h_2	h_3	h_4	t/T max	Q_{min}	Q_0
	mm	mm	mm	mm	mm	mm		mm	mm	mm	mm	mm	kN/LB	kN
3558T-48001	35	10.1	58	7.0	69.4	72.0	90°	10	13	15	18	1.6/2.03	19.6/4457	23.0
3558T-48001F1	35	12.6	58	10.0	69.4	71.2	90°	10	13	15	18	1.6/2.03	19.6/4457	23.0
3558T-48002	35	12.8	58	7.0	69.4	71.2	90°	10	13	15	18	1.6/2.03	19.6/4457	23.0



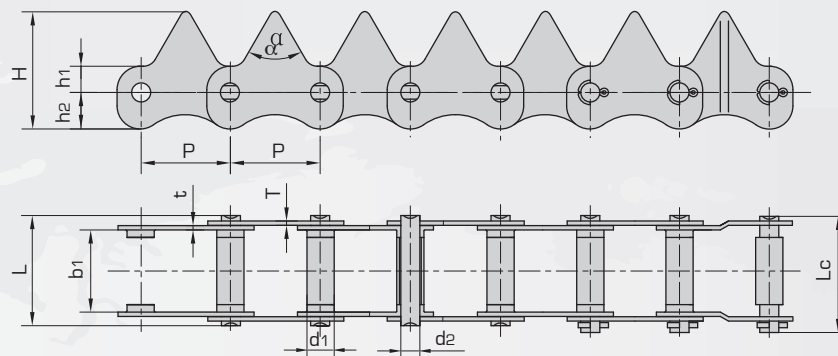
Donghua Chain No.	Pitch	Roller diameter	Width between inner plates	Pin diameter	Pin length		Tooth angle	Plate dimension			Plate thickness	Ultimate tensile strength	Average tensile strength
	P	d_1 max	b_1 min	d_2 max	L max	L_c max	α	h_1	h_2	H	T	Q_{min}	Q_0
	mm	mm	mm	mm	mm	mm		mm	mm	mm	mm	kN/LB	kN
3322-63201	33	12.7	22.0	5.94	36.4	38.4	70°	10	15	40	2.42	19.6/4455	22.5
3325-23160	33	12.8	25.0	7.00	35.9	38.7	60°	10	13	43	1.60	21.6/4909	24.5
3330-28361	33	12.8	30.0	7.00	40.9	43.7	60°	10	13	43	1.60	21.6/4909	24.5
3330-27150	33	12.8	30.0	7.00	40.9	43.7	70°	10	13	38	1.60	21.6/4909	24.5

Rice harvester chains



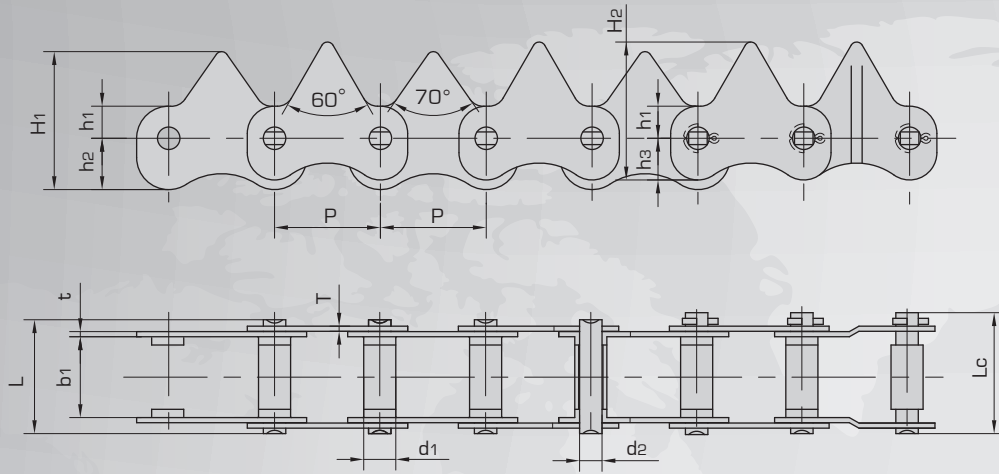
Donghua Chain No.	Pitch	Roller diameter	Width between inner plates	Pin diameter	Pin length		Tooth angle	Plate dimension			Plate thickness	Ultimate tensile strength	Average tensile strength
	P	d ₁ max	b ₁ min	d ₂ max	L max	L _c max	α	h ₁	h ₂	H	t/T max	Q min	Q ₀
	mm	mm	mm	mm	mm	mm		mm	mm	mm	mm	kN/LB	kN
3318.5-A0680106	33	10.1	18.5	7.0	29.0	31.0	70°	10	13	38	1.60	19.60/4455	22.5
3325-4LB1.35	33	10.1	25.0	7.0	37.0	39.5	90°	10	13	38	2.03	19.60/4455	24.0
3325-4LB1.45	33	10.1	25.0	7.0	35.6	37.6	70°	10	13	38	1.70	19.60/4455	22.5
3325-3572	33	10.1	25.0	7.0	36.8	39.0	70°	10	13	38	2.0/1.6	19.60/4455	23.0
3325-1E6410	33	10.1	25.0	7.0	36.8	39.0	90°	10	13	38	2.0/1.6	19.60/4455	23.0
3325-3555	33	10.1	25.0	7.0	36.8	39.0	70°	10	13	38	2.0/1.6	19.60/4455	22.5
3330-4LB1.45	33	10.1	30.0	7.0	40.3	42.7	60°	10	13	43	1.70	19.60/4455	22.5
3330-4LB1.45-01	33	10.1	30.0	7.0	40.3	42.7	70°	10	13	38	1.70	19.60/4455	22.5
3340-3572	33	10.1	40.0	7.0	51.8	54.0	70°	10	13	38	2.0/1.6	19.60/4455	23.0
3340-1E8570	33	10.1	40.0	7.0	49.2	52.5	90°	18	10	38	1.6/1.2	19.60/4455	22.0
3350-3555	33	10.1	50.0	7.0	60.2	62.5	70°	18	10	43	1.60	19.60/4455	22.5
3325-49200	33	12.8	25.0	7.0	35.9	38.7	70°	10	13	38	1.60	21.60/4909	24.5
3358-1E8350	33	10.1	58.0	7.0	68.0	72.0	90°	18	10	38	1.60	19.60/4455	22.5
3358-1E7070	33	10.1	58.0	7.0	68.0	-	90°	18	10	38	1.60	19.60/4455	22.5
3358-6365	33	10.1	58.0	7.0	68.2	70.5	70°	18	10	43	1.60	19.60/4455	22.5
3540-0875	35	10.1	40.0	7.0	50.2	52.5	70°	18	10	43	1.60	19.60/4455	22.5
3540-3572	35	10.1	40.0	7.0	50.2	52.5	70°	10	10	35	1.60	19.60/4455	22.5
3558-4LB1.35	35	13.2	58.0	9.4	70.0	73.2	90°	15	18	47	2.03	22.54/5123	27.1
3550-5080	35	10.1	50.0	7.0	60.2	62.5	70°	18	10	38	1.60	19.60/4455	22.5

Rice harvester chains

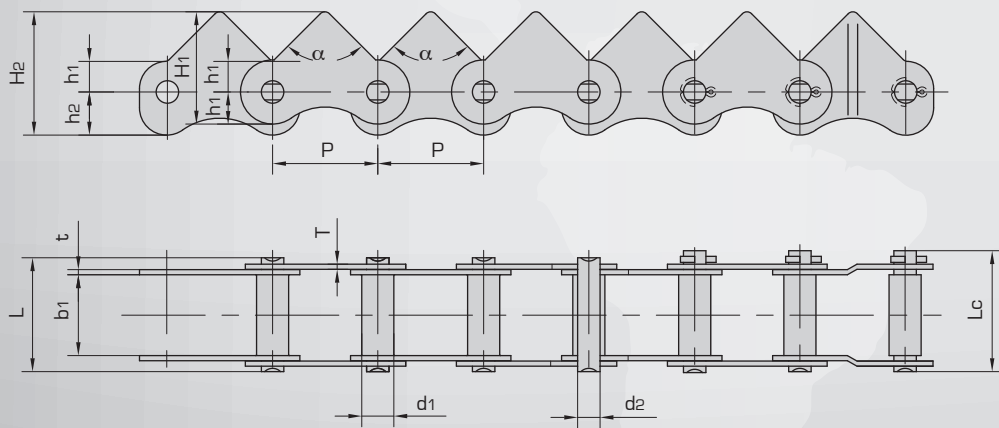


Donghua Chain No.	Pitch	Roller diameter	Width between inner plates	Pin diameter	Pin length		Tooth angle	Plate dimension			Plate thickness	Ultimate tensile strength	Average tensile strength
	P	d1 max	b1 min	d2 max	L max	Lc max	α	h1	h2	H	t/T max	Q min	Q0
	mm	mm	mm	mm	mm	mm		mm	mm	mm	mm	kN/LB	kN
3318T-5010	33	10.1	18.0	7.0	28.5	31.4	70°	10	13	38	1.6	19.60/4455	22.5
3322T-52800	33	10.1	22.0	7.0	31.5	34.5	70°	10	13	38	1.6	17.64/4010	20.2
3322T-28241	33	12.1	21.3	7.0	31.8	34.1	60°	10	13	43	1.6	19.60/4455	22.5
3325T-23151	33	10.1	25.0	7.0	35.5	37.7	60°	10	13	43	1.6	19.60/4455	22.5
3325T-49201	33	10.1	25.0	7.0	35.5	37.7	90°	10	13	38	1.6	19.60/4455	22.5
3325T-A0680110	33	10.1	25.0	7.0	35.5	37.7	70°	10	13	38	1.6	19.60/4455	22.5
3325T-A0680110F1	33	12.6	25.0	7.0	35.5	37.7	70°	10	13	38	1.6	19.60/4455	22.5
3325T-3650	33	10.1	25.0	7.0	35.5	37.7	70°	10	13	38	1.6	19.60/4455	22.5
3330T-27151	33	10.1	30.0	7.0	40.5	42.8	70°	10	13	38	1.6	19.60/4455	22.5
3330T-28241	33	10.1	30.0	7.0	40.5	42.8	60°	10	13	43	1.6	19.60/4455	22.5
3330T-28241F1	33	12.6	30.0	7.0	40.5	42.8	60°	10	13	43	1.6	19.60/4455	22.5
3330T-28241F2	33	12.1	29.3	7.0	39.8	42.1	60°	10	13	43	1.6	19.60/4455	22.5
3330T-3501	33	10.1	30.0	7.0	40.5	42.8	70°	10	13	38	1.6	19.60/4455	22.5
3330T-59750	33	10.1	30.0	7.0	39.5	42.5	60°	10	13	43	1.6	19.60/4455	22.5
3330T-5028	33	10.1	30.0	7.0	40.9	43.7	60°	10	13	43	1.6/2.0	19.60/4455	22.5
3330T-52200	33	10.1	30.0	7.0	40.9	43.7	60°	10	13	43	1.6/2.0	19.60/4455	22.5
3335T-27151	33	10.1	35.0	7.0	45.5	47.8	70°	10	13	38	1.6	19.60/4455	22.5
3358T-3330	33	10.1	58.0	7.0	68.0	72.0	90°	18	10	38	1.6	19.60/4455	22.5
3358T-53871	33	10.1	58.0	7.0	68.0	70.8	75°	18	10	43	1.6	19.60/4455	22.5
3358T-6365	33	10.1	58.0	7.0	68.2	72.0	75°	18	10	43	1.6	19.60/4455	22.5
3330T-28242	33	12.8	30.0	7.0	40.5	42.8	60°	10	13	43	1.6	19.60/4455	22.5
3330T-27152	33	12.8	30.0	7.0	40.5	42.8	70°	10	13	38	1.6	19.60/4455	22.5
3350T-744	33	10.1	50.0	7.0	60.2	63.0	90°	18	10	38	1.6	19.60/4455	22.5
3325T-699	33	10.1	25.0	7.0	36.2	39.3	90°	10	13	38	2.0/1.6	19.60/4455	22.5
3325T-3817	33	10.1	25.0	7.0	36.2	39.0	90°	10	13	38	2.0/1.6	19.61/4455	22.5
3330T-3817	33	12.1	30.0	7.0	40.5	42.8	60°	10	13	43	1.6	19.61/4455	22.5
3330T-53981	33	12.8	30.0	7.0	40.5	42.8	70°	10	13	38	1.6	19.61/4455	22.5
3330T-5441	33	10.1	30.0	7.0	40.9	43.7	60°	10	13	43	1.6/2.0	19.61/4455	22.5
3358T-6365F1	33	12.8	58.0	7.0	68.2	72.0	75°	18	10	43	1.6	19.60/4455	22.5
3325T-5060	33	10.1	25.0	7.0	36.8	39.0	70°	10	13	38	1.6/2.0	19.61/4455	22.5
3350T-6379	33	10.1	50.0	7.0	60.2	62.5	75°	18	10	43	1.6	19.60/4455	22.5

Rice harvester chains

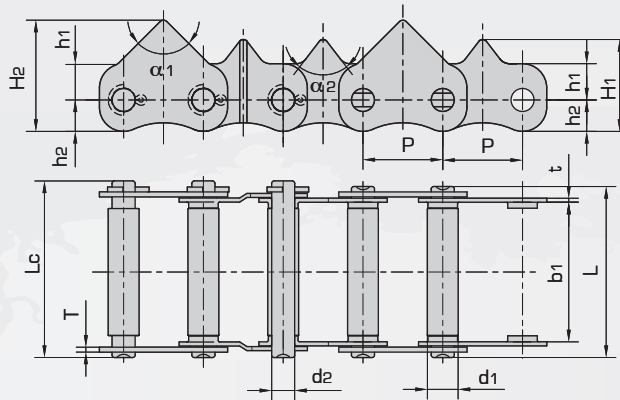


Donghua Chain No.	Pitch	Roller diameter	Width between inner plates	Pin diameter	Pin length		Plate dimension					Plate thickness	Ultimate tensile strength	Average tensile strength
	P	d1 max	b1 min	d2 max	L max	Lc max	h1	h2	H1	h3	H2	t/T max	Q min	Q0
	mm	mm	mm	mm	mm	mm	mm	mm	mm	mm	mm	mm	kN/LB	kN
3322T-63203	33	10.1	22	7.0	33.0	35.7	10	16	36	13	43	1.6/2.0	19.6/4455	23.0
3330T-66103	33	10.1	30	7.0	40.9	43.7	10	16	36	13	43	1.6/2.0	19.6/4455	23.0

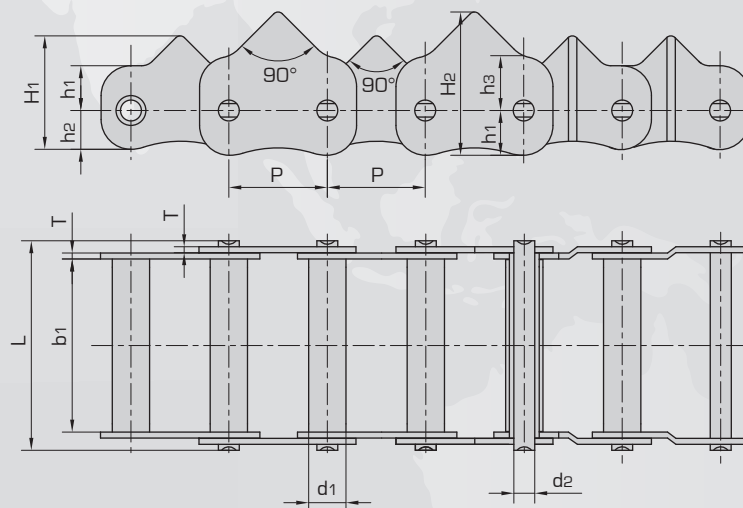


Donghua Chain No.	Pitch	Roller diameter	Width between inner plates	Pin diameter	Pin length		Tooth angle	Plate dimension				Plate thickness	Ultimate tensile strength	Average tensile strength
	P	d1 max	b1 min	d2 max	L max	Lc max	α	h1	H1	h2	H2	t/T max	Q min	Q0
	mm	mm	mm	mm	mm	mm		mm	mm	mm	mm	mm	kN/LB	kN
3325-1E8350	33	10.1	25	7.0	34.2	37.8	90°	10	35	13	38	1.6/1.2	19.6/4455	22.0
3325-1E6110	33	10.1	25	7.0	34.2	37.0	70°	10	35	13	38	1.6/1.2	19.6/4455	22.0

Rice harvester chains

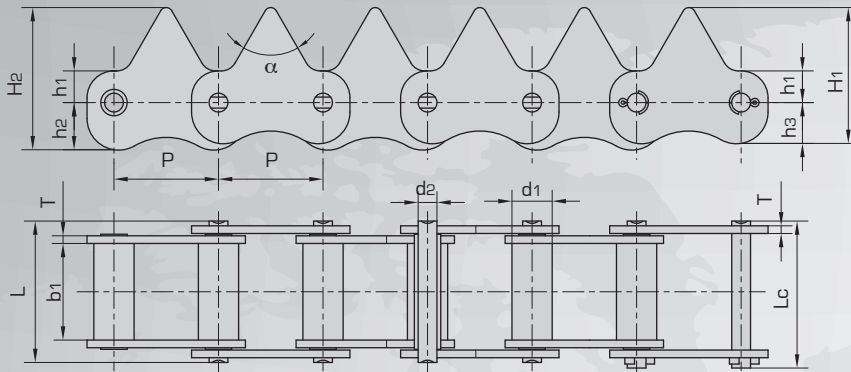


Donghua Chain No.	Pitch	Roller diameter	Width between inner plates	Pin diameter	Pin length		Tooth angle	Plate dimension				Plate thickness	Ultimate tensile strength	Average tensile strength
	P	d1 max	b1 min	d2 max	L max	Lc max	α_1 / α_2	h1	h2	H1	H2	t/T max	Q min	Q0
	mm	mm	mm	mm	mm	mm		mm	mm	mm	mm	mm	kN/LB	kN
3358T-5K151	33	12.8	58	9.5	69.7	72.7	90°/75°	15	13	38	46	1.6/2.03	19.62/4460	22.5
3358T-3653	33	12.8	58	9.5	69.7	72.7	90°/90°	16	12	38	48	1.6/2.03	19.6/4455	22.5
3358T-762	33	12.8	58	9.5	69.7	72.9	90°/75°	15	13	38	46	1.6/2.03	19.6/4455	22.5

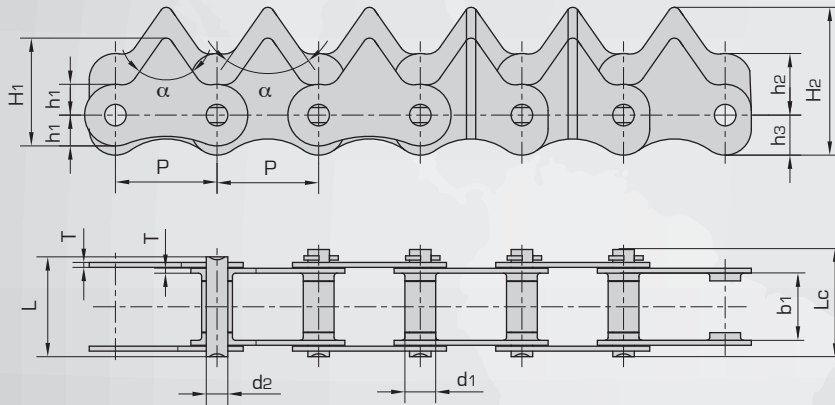


Donghua Chain No.	Pitch	Roller diameter	Width between inner plates	Pin diameter	Pin length	Plate dimension					Plate thickness	Ultimate tensile strength	Average tensile strength
	P	d1 max	b1 min	d2 max	L max	h1	h2	h3	H1	H2	T	Q min	Q0
	mm	mm	mm	mm	mm	mm	mm	mm	mm	mm	mm	kN/LB	kN
3558-48180	35	12.8	58	7	70.5	15	13	18	38	48	2.03	27.44/6236	28.5

Rice harvester chains



Donghua Chain No.	Pitch	Roller diameter	Width between inner plates	Pin diameter	Pin length		Tooth angle	Plate dimension					Plate thickness	Ultimate tensile strength	Average tensile strength
	P	d1 max	b1 min	d2 max	L max	Lc max	α	h1	h2	h2	H1	H2	T	Q min	Qo
	mm	mm	mm	mm	mm	mm		mm	mm	mm	mm	mm	mm	kN/LB	kN
3330-66401	33	12.7	30	5.94	44.4	47.6	60°	10	15	13	43	45	2.42	19.61/4457	22.5

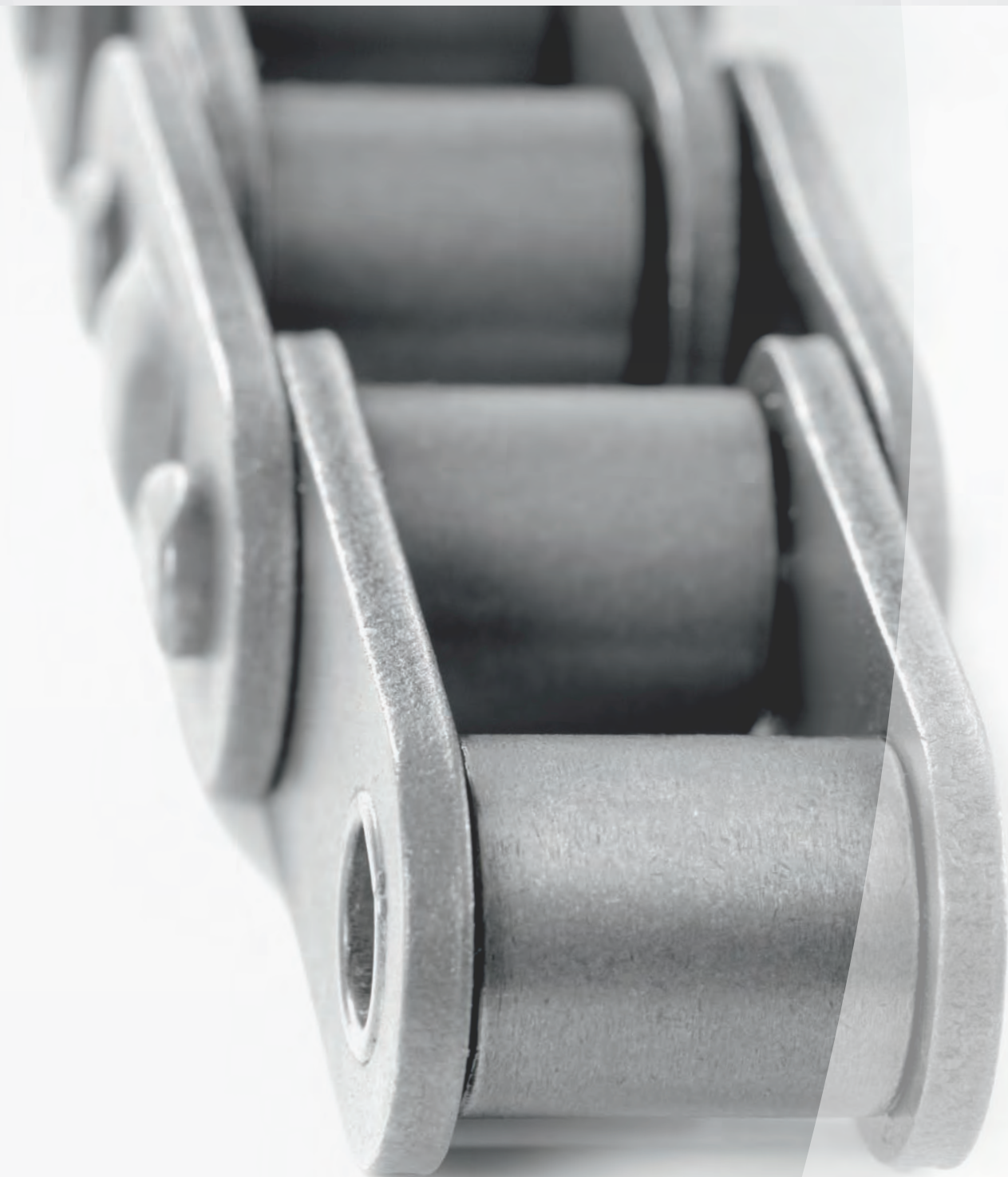


Donghua Chain No.	Pitch	Roller diameter	Width between inner plates	Pin diameter	Pin length		Tooth angle	Plate dimension					Plate thickness	Ultimate tensile strength	Average tensile strength
	P	d1 max	b1 min	d2 max	L max	Lc max	α	h1	h2	h2	H1	H2	T	Q min	Qo
	mm	mm	mm	mm	mm	mm		mm	mm	mm	mm	mm	mm	kN/LB	kN
3325T-1E8350	33	10.1	28	7.0	34.5	39	70°	10	20	13	35	48	1.6	19.60/4455	22.5

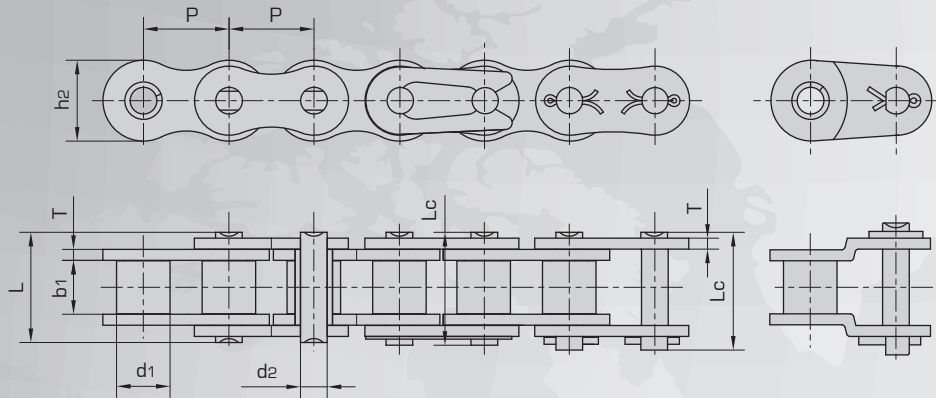


Drive chains





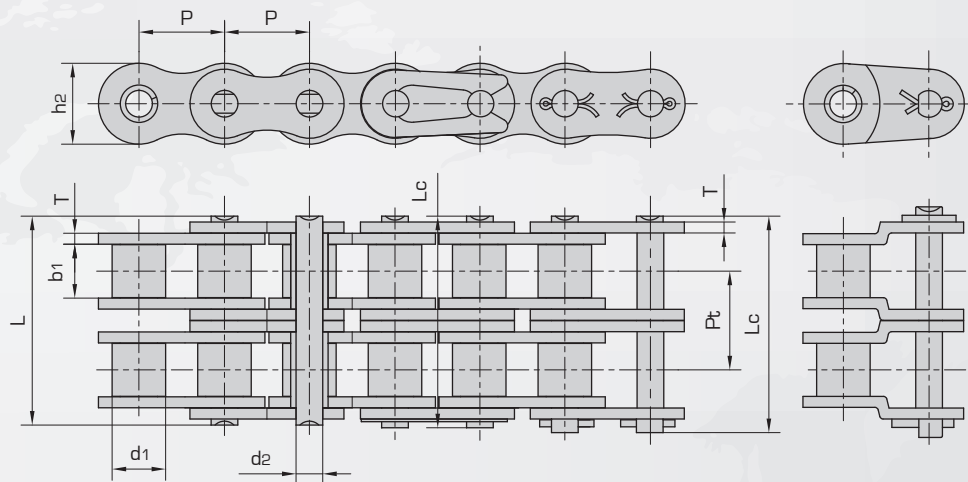
Short pitch simplex precision roller chains (A serie) Acc. to ISO 606, DIN 8188, AISI B29.1



DIN/ISO Chain No.	ANSI Chain No.	Pitch	Roller diameter	Width between inner plates	Pin diameter	Pin length		Inner plate depth	Plate thickness	Ultimate tensile strength	Average tensile strength	Weight per meter
		P	d1 max	b1 min	d2 max	L max	Lc max	h2 max	T max	Q min	Q0	q
		mm	mm	mm	mm	mm	mm	mm	mm	mm	kN/LB	kN
*03C	*15	4.7625	2.48	2.38	1.62	6.10	6.90	4.30	0.60	1.80/409	2.0	0.08
*04C-1	*25	6.35	3.30	3.18	2.31	7.90	8.40	6.00	0.80	3.50/795	4.6	0.15
*06C-1	*35	9.525	5.08	4.77	3.58	12.40	13.17	9.00	1.30	7.90/1795	10.8	0.33
085-1	41	12.7	7.77	6.25	3.58	13.75	15.00	9.91	1.30	6.67/1516	12.6	0.41
08A-1	40	12.7	7.95	7.85	3.96	16.60	17.80	12.00	1.50	14.10/2305	17.5	0.62
10A-1	50	15.875	10.16	9.40	5.08	20.70	22.20	15.09	2.03	22.20/5045	29.4	1.02
12A-1	60	19.05	11.91	12.57	5.94	25.90	27.70	18.00	2.42	31.80/7227	41.5	1.50
16A-1	80	25.4	15.88	15.75	7.92	32.70	35.00	24.00	3.25	56.70/12886	96.4	2.60
20A-1	100	31.75	19.05	18.90	9.53	40.40	44.70	30.00	4.00	88.50/20114	109.2	3.91
24A-1	120	38.1	22.23	25.22	11.10	50.30	54.30	35.70	4.80	127.00/28864	156.3	5.62
28A-1	140	44.45	25.40	25.22	12.70	54.40	59.00	41.00	5.60	172.40/39182	212.0	7.50
32A-1	160	50.8	28.58	31.55	14.27	64.80	69.60	47.80	6.40	226.80/51545	278.9	10.10
36A-1	180	57.15	35.71	35.48	17.46	72.80	78.60	53.60	7.20	280.20/63682	341.8	13.45
40A-1	200	63.5	39.68	37.85	19.85	80.30	87.20	60.00	8.00	353.80/80409	431.6	16.15
48A-1	240	76.2	47.63	47.35	23.81	95.50	103.00	72.39	9.50	510.30/115977	622.5	23.20

* Bushing chain: d1 in the table indicate the external diameter of the bushing.

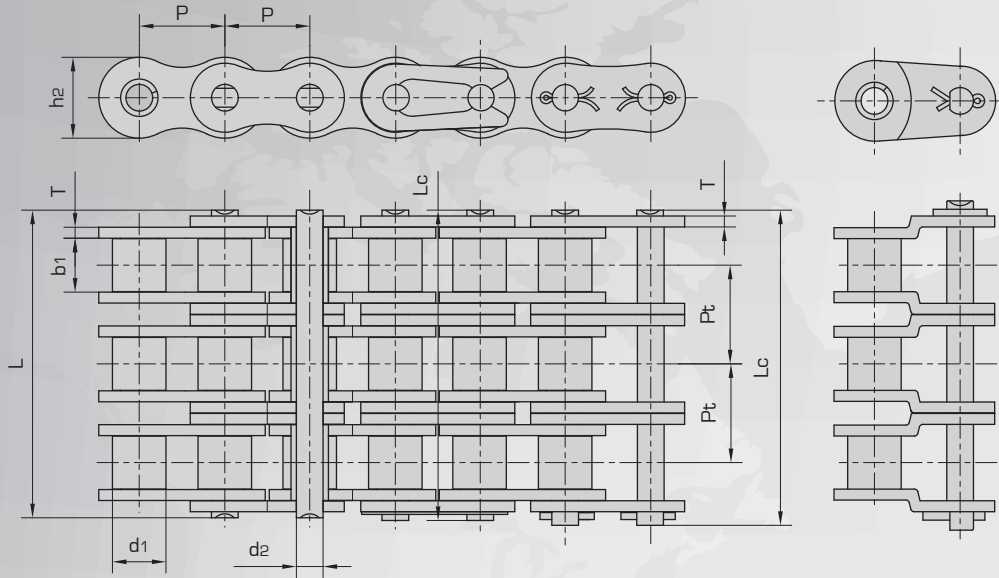
Short pitch duplex precision roller chains (A serie) Acc. to ISO 606, DIN 8188, AISI B29.1



DIN/ISO Chain No.	ANSI Chain No.	Pitch	Roller diameter	Width between inner plates	Pin diameter	Pin length		Inner plate depth	Plate thickness	Transverse pitch	Ultimate tensile strength	Average tensile strength	Weight per meter
		p	d1 max	b1 min	d2 max	L max	Lc max	h2 max	T max	Pt	Q min	Q0	q
		mm	mm	mm	mm	mm	mm	mm	mm	mm	kN/LB	kN	kg/m
*04C-2	*25-2	6.35	3.30	3.18	2.31	14.5	15.0	6.00	0.80	6.40	7.00/1591	8.6	0.28
*06C-2	*35-2	9.525	5.08	4.77	3.58	22.5	23.3	9.00	1.30	10.13	15.80/3591	19.7	0.63
085-2	41-2	12.7	7.77	6.25	3.58	25.7	26.9	9.91	1.30	11.95	13.34/3032	16.9	0.81
08A-2	40-2	12.7	7.95	7.85	3.96	31.0	32.2	12.00	1.50	14.38	28.20/6409	35.9	1.12
10A-2	50-2	15.875	10.16	9.40	5.08	38.9	40.4	15.09	2.03	18.11	44.40/10091	58.1	2.00
12A-2	60-2	19.05	11.91	12.57	5.94	48.8	50.5	18.00	2.42	22.78	63.60/14455	82.1	2.92
16A-2	80-2	25.4	15.88	15.75	7.92	62.7	64.3	24.00	3.25	29.29	113.40/25773	141.8	5.15
20A-2	100-2	31.75	19.05	18.90	9.53	76.4	80.5	30.00	4.00	35.76	177.00/40227	219.4	7.80
24A-2	120-2	38.1	22.23	25.22	11.10	95.8	99.7	35.70	4.80	45.44	254.00/57727	314.9	11.70
28A-2	140-2	44.45	25.40	25.22	12.70	103.3	107.9	41.00	5.60	48.87	344.80/78364	427.5	15.14
32A-2	160-2	50.8	28.58	31.55	14.27	123.3	128.1	47.80	6.40	58.55	453.60/103091	562.4	20.14
36A-2	180-2	57.15	35.71	35.48	17.46	138.6	144.4	53.60	7.20	65.84	560.50/127386	695.0	29.22
40A-2	200-2	63.5	39.68	37.85	19.85	151.9	158.8	60.00	8.00	71.55	707.60/160818	877.4	32.24
48A-2	240-2	76.2	47.63	47.35	23.81	183.4	190.8	72.39	9.50	87.83	1020.60/2113955	1255.3	45.23

* Bushing chain: d1 in the table indicate the external diameter of the bushing.

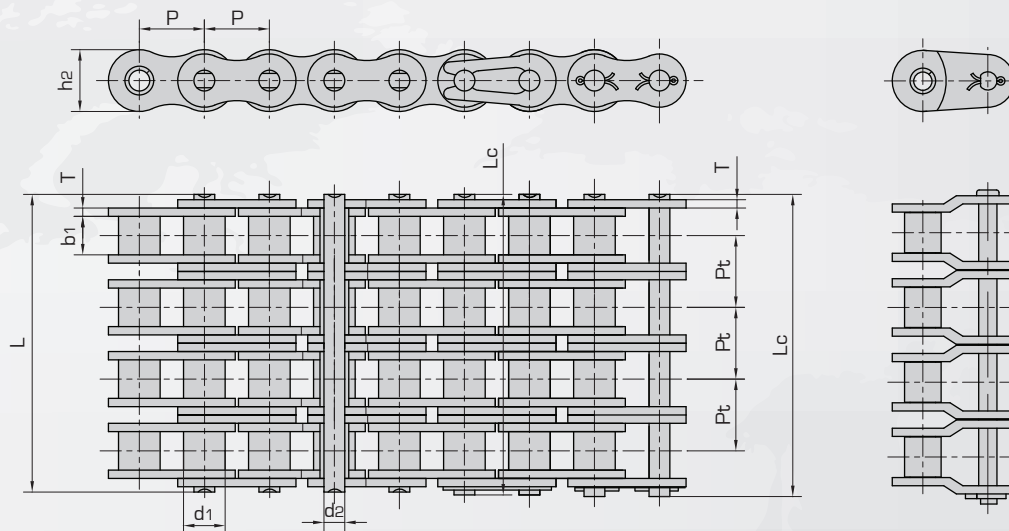
Short pitch triplex precision roller chains (A serie) Acc. to ISO 606, DIN 8188, AISI B29.1



DIN/ISO Chain No.	ANSI Chain No.	Pitch	Roller diameter	Width between inner plates	Pin diameter	Pin length		Inner plate depth	Plate thickness	Transverse pitch	Ultimate tensile strength	Average tensile strength	Weight per meter
		P	d1 max	b1 min	d2 max	L max	Lc max	h2 max	T max	Pt	Q min	Q0	q
		mm	mm	mm	mm	mm	mm	mm	mm	mm	kN/LB	kN	kg/m
*04C-3	*25-3	6.35	3.30	3.18	2.31	21.0	21.5	6.00	0.80	6.40	10.5/2386	12.6	0.44
*06C-3	*35-3	9.525	5.08	4.77	3.58	32.7	33.5	9.00	1.30	10.13	23.7/5386	28.6	1.05
08A-3	40-3	12.7	7.95	7.85	3.96	45.4	46.6	12.00	1.50	14.38	42.3/9614	50.0	1.90
10A-3	50-3	15.875	10.16	9.40	5.08	57.0	58.5	15.09	2.03	18.11	66.6/15136	77.8	3.09
12A-3	60-3	19.05	11.91	12.57	5.94	71.5	73.3	18.00	2.42	22.78	95.4/21682	111.1	4.54
16A-3	80-3	25.4	15.88	15.75	7.92	91.7	93.6	24.00	3.25	29.29	170.1/38659	198.4	7.89
20A-3	100-3	31.75	19.05	18.90	9.53	112.2	116.3	30.00	4.00	35.76	265.5/60341	309.6	11.77
24A-3	120-3	38.1	22.23	25.22	11.10	141.4	145.2	35.70	4.80	45.44	381.0/86591	437.2	17.53
28A-3	140-3	44.45	25.40	25.22	12.70	152.2	156.8	41.00	5.60	48.87	517.2/117545	593.3	22.20
32A-3	160-3	50.8	28.58	31.55	14.27	181.8	186.6	47.80	6.40	58.55	680.4/154636	780.6	30.02
36A-3	180-3	57.15	35.71	35.48	17.46	204.4	210.2	53.60	7.20	65.84	840.7/191068	983.6	38.22
40A-3	200-3	63.5	39.68	37.85	19.85	223.5	230.4	60.00	8.00	71.55	1061.4/241227	1217.8	49.03
48A-3	240-3	76.200	47.63	47.35	23.81	271.3	278.6	72.39	9.50	87.83	1530.9/347932	1756.5	71.60

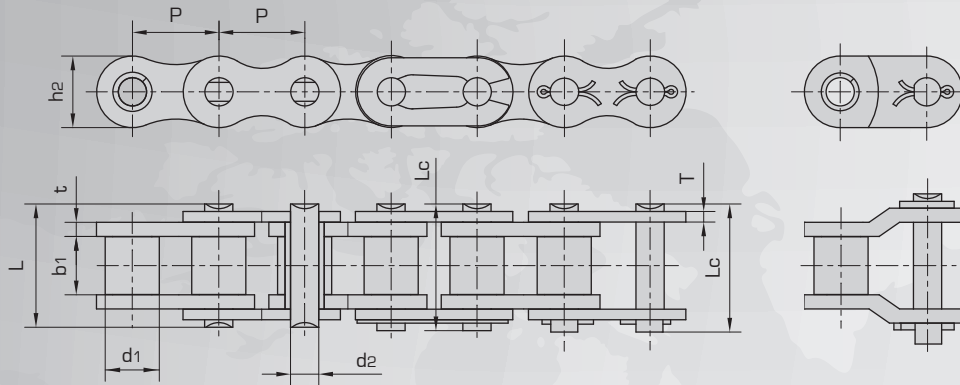
* Bushing chain: d1 in the table indicate the external diameter of the bushing.

Short pitch multiple strand precision roller chains (A serie) Acc. to ISO 606, DIN 8188, AISI B29.1



DIN/ISO Chain No.	ANSI Chain No.	Pitch	Roller diameter	Width between inner plates	Pin diameter	Pin length		Inner plate depth	Plate thickness	Transverse pitch	Ultimate tensile strength	Average tensile strength	Weight per meter
		P	d1 max	b1 min	d2 max	L max	Lc max	h2 max	T max	Pt	Q min	Q0	q
		mm	mm	mm	mm	mm	mm	mm	mm	mm	kN/LB	kN	kg/m
08A-4	40-4	12.7	7.95	7.85	3.96	59.8	61.0	12.00	1.50	14.38	56.4/12687	62.04	2.57
10A-4	50-4	15.875	10.16	9.40	5.08	75.1	76.6	15.09	2.03	18.11	88.8/19976	97.68	4.30
12A-4	60-4	19.05	11.91	12.57	5.94	94.4	96.1	18.00	2.42	22.78	127.2/28614	139.92	6.21
16A-4	80-4	25.4	15.88	15.75	7.92	121.0	124.4	24.00	3.25	29.29	226.8/51020	249.48	10.37
20A-4	100-4	31.75	19.05	18.90	9.53	147.8	152.1	30.00	4.00	35.76	354/79635	389.40	15.60
24A-4	120-4	38.1	22.23	25.22	11.10	187.0	190.8	35.70	4.80	45.44	508/114278	558.80	23.56
08A-5	40-5	12.7	7.95	7.85	3.96	74.2	75.4	12.00	1.50	14.38	70.5/15859	77.55	3.19
10A-5	50-5	15.875	10.16	9.40	5.08	93.2	94.7	15.09	2.03	18.11	111/24970	122.10	5.37
12A-5	60-5	19.05	11.91	12.57	5.94	117.0	118.8	18.00	2.42	22.78	159/35768	174.90	7.75
16A-5	80-5	25.4	15.88	15.75	7.92	149.9	153.7	24.00	3.25	29.29	283.5/63775	311.85	12.96
20A-5	100-5	31.75	19.05	18.90	9.53	183.6	187.9	30.00	4.00	35.76	442.5/99543	486.75	19.46
24A-5	120-5	38.1	22.23	25.22	11.10	232.3	236.1	35.70	4.80	45.44	635/142848	698.50	29.40
08A-6	40-6	12.7	7.95	7.85	3.96	88.5	89.8	12.00	1.50	14.38	84.6/19031	93.06	3.83
10A-6	50-6	15.875	10.16	9.40	5.08	111.3	112.8	15.09	2.03	18.11	133.2/29964	146.52	6.43
12A-6	60-6	19.05	11.91	12.57	5.94	139.8	141.8	18.00	2.42	22.78	190.8/42921	209.80	9.31
16A-6	80-6	25.4	15.88	15.75	7.92	179.2	183.0	24.00	3.25	29.29	340.2/76530	374.22	15.50
20A-6	100-6	31.75	19.05	18.90	9.53	219.4	223.7	30.00	4.00	35.76	531/119452	584.10	23.36
24A-6	120-6	38.1	22.23	25.22	11.10	278.0	282.0	35.70	4.80	45.44	762/171417	838.20	35.3
08A-8	40-8	12.7	7.95	7.85	3.96	117.3	118.5	12.00	1.50	14.38	112.8/25375	124.08	5.11
10A-8	50-8	15.875	10.16	9.40	5.08	147.5	149.0	15.09	2.03	18.11	177.6/39952	195.36	8.59
12A-8	60-8	19.05	11.91	12.57	5.94	185.8	187.6	18.00	2.42	22.78	254.4/57229	279.84	12.37
16A-8	80-8	25.4	15.88	15.75	7.92	237.8	241.6	24.00	3.25	29.29	453.6/102040	498.96	20.67
20A-8	100-8	31.75	19.05	18.90	9.53	290.8	295.1	30.00	4.00	35.76	708/159270	778.80	31.14
24A-8	120-8	38.1	22.23	25.22	11.10	368.8	372.8	35.70	4.80	45.44	1016/228557	1176.00	47.07

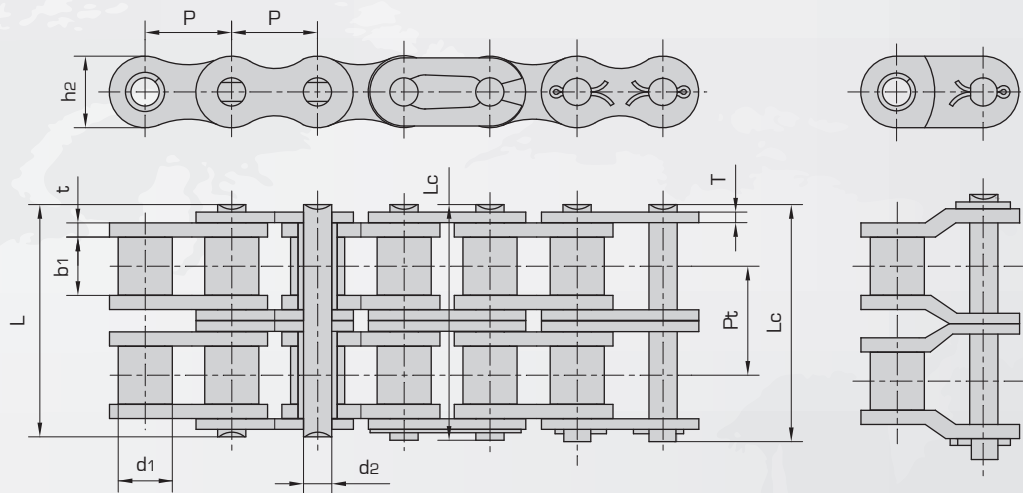
Short pitch simplex precision roller chains (B serie) Acc. to ISO 606, DIN 8187



DIN/ISO Chain No.	Pitch	Roller diameter	Width between inner plates	Pin diameter	Pin length		Inner plate depth	Plate thickness	Ultimate tensile strength	Average tensile strength	Weight per meter
	P	d1 max	b1 min	d2 max	L max	Lc max	h2 max	T max	Q min	Q0	q
	mm	mm	mm	mm	mm	mm	mm	mm	kN/LB	kN	kg/m
04B-1	6.0	4.0	2.80	1.85	6.80	7.8	5.00	0.60	3.0/682	3.2	0.11
05B-1	8.0	5.0	3.00	2.31	8.20	8.9	7.10	0.80	5.0/1136	5.9	0.20
*06B-1	9.525	6.35	5.72	3.28	13.15	14.1	8.20	1.30	9.0/2045	10.4	0.41
08B-1	12.7	8.51	7.75	4.45	16.70	18.2	11.80	1.60	18.0/4091	19.4	0.69
10B-1	15.875	10.16	9.65	5.08	19.50	20.9	14.70	1.70	22.4/5091	27.5	0.93
12B-1	19.05	12.07	11.68	5.72	22.50	24.2	16.00	1.85	29.0/6591	32.2	1.15
16B-1	25.4	15.88	17.02	8.28	36.10	37.4	21.00	4.15/3.1	60.0/13636	72.8	2.71
20B-1	31.75	19.05	19.56	10.19	41.30	45.0	26.40	4.5/3.5	95.0/21591	106.7	3.70
24B-1	38.1	25.40	25.40	14.63	53.40	57.8	33.20	6.0/4.8	160.0/36364	178.0	7.10
28B-1	44.45	27.94	30.99	15.90	65.10	69.5	36.70	7.5/6.0	200.0/45455	222.0	8.50
32B-1	50.8	29.21	30.99	17.81	66.00	71.0	42.00	7.0/6.0	250.0/56818	277.5	10.25
40B-1	63.5	39.37	38.10	22.89	82.20	89.2	52.96	8.5/8.0	355.0/80682	394.0	16.35
48B-1	76.2	48.26	45.72	29.24	99.10	107.0	63.80	12.0/10.0	560.0/127272	621.6	25.00
56B-1	88.9	53.98	53.34	34.32	114.60	123.0	77.80	13.5/12.0	850.0/193180	940.0	35.78
64B-1	101.6	63.50	60.96	39.40	130.00	138.5	90.17	15.0/13.0	112.0/254544	1,240.0	46.00
72B-1	114.3	72.39	68.58	44.48	147.40	156.4	103.60	17.0/15.0	1400.0/318180	1,550.0	60.80

* Straight side plates.

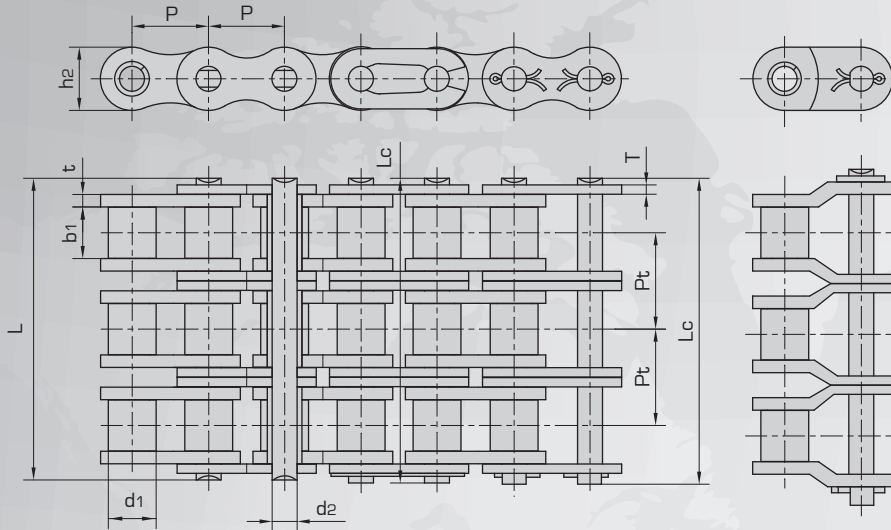
Short pitch duplex precision roller chains (B serie) Acc. to ISO 606, DIN 8187



DIN/ISO Chain No.	Pitch	Roller diameter	Width between inner plates	Pin diameter	Pin length		Inner plate depth	Plate thickness	Transverse pitch	Ultimate tensile strength	Average tensile strength	Weight per meter
	P	d1 max	b1 min	d2 max	L max	Lc max	h2 max	T max	Pt	Q min	Q0	q
	mm	mm	mm	mm	mm	mm	mm	mm	mm	kN/LB	kN	kg/m
05B-2	8.0	5.00	3.00	2.31	13.9	14.5	7.10	0.80	5.64	7.8/1773	10.2	0.33
*06B-2	9.525	6.35	5.72	3.28	23.4	24.4	8.20	1.30	10.24	16.9/3841	18.7	0.77
08B-2	12.7	8.51	7.75	4.45	31.0	32.2	11.80	1.60	13.92	32.0/7273	38.7	1.34
10B-2	15.875	10.16	9.65	5.08	36.1	37.5	14.70	1.70	16.59	44.5/10114	56.2	1.84
12B-2	19.05	12.07	11.68	5.72	42.0	43.6	16.00	1.85	19.46	57.8/13136	66.1	2.31
16B-2	25.4	15.88	17.02	8.28	68.0	69.3	21.00	4.15/3.1	31.88	106.0/24091	133.0	5.42
20B-2	31.75	19.05	19.56	10.19	77.8	81.5	26.40	4.5/3.5	36.45	170.0/38636	211.2	7.20
24B-2	38.1	25.40	25.40	14.63	101.7	106.2	33.20	6.0/4.8	48.36	280.0/63636	319.2	13.40
28B-2	44.45	27.94	30.99	15.90	124.6	129.1	36.70	7.5/6.0	59.56	360.0/81818	406.8	16.60
32B-2	50.8	29.21	30.99	17.81	124.6	129.6	42.00	7.0/6.0	58.55	450.0/102273	508.5	21.00
40B-2	63.5	39.37	38.10	22.89	154.5	161.5	52.96	8.5/8.0	72.29	630.0/143182	711.9	32.00
48B-2	76.2	48.26	45.72	29.24	190.4	198.2	63.80	12.0/10.0	91.21	1000.0/227272	1130.0	50.00
56B-2	88.9	53.98	53.34	34.32	221.2	229.6	77.80	13.5/12.0	106.60	1600.0/363635	1760.0	71.48
64B-2	101.6	63.50	60.96	39.40	249.9	258.4	90.17	15.0/13.0	119.89	2000.0/454544	2200.0	91.00
72B-2	114.3	72.39	68.58	44.48	283.7	292.7	103.60	17.0/15.0	136.27	2500.0/568180	2750.0	120.40

* Straight side plates.

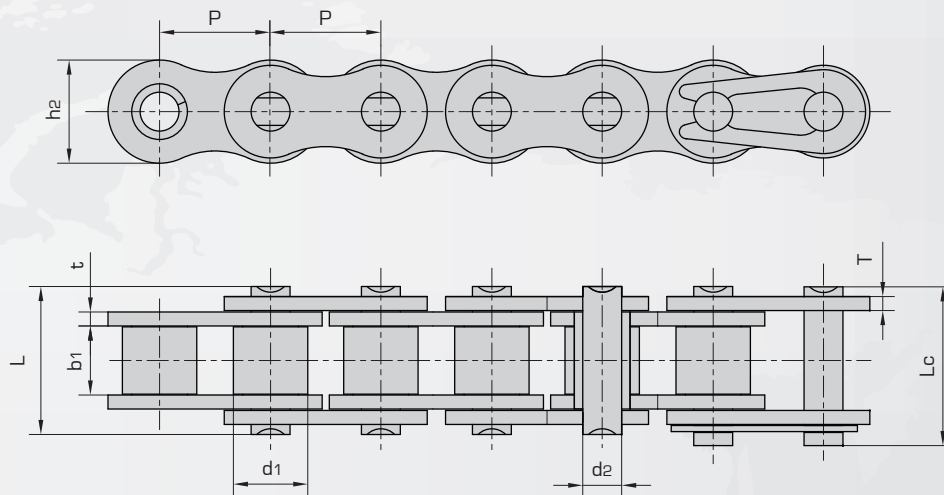
Short pitch triplex precision roller chains (B serie) Acc. to ISO 606, DIN 8187



DIN/ISO Chain No.	Pitch	Roller diameter	Width between inner plates	Pin diameter	Pin length		Inner plate depth	Plate thickness	Transverse pitch	Ultimate tensile strength	Average tensile strength	Weight per meter
	P	d1 max	b1 min	d2 max	L max	Lc max	h2 max	T max	Pt	Q min	Q0	q
	mm	mm	mm	mm	mm	mm	mm	mm	mm	kN/LB	kN	kg/m
05B-3	8.0	5.00	3.00	2.31	19.5	20.2	7.10	0.80	5.64	11.1/2523	13.8	0.48
*06B-3	9.525	6.35	5.72	3.28	33.5	34.6	8.20	1.30	10.24	24.9/5659	30.1	1.16
08B-3	12.7	8.51	7.75	4.45	45.1	46.1	11.80	1.60	13.92	47.5/10795	57.8	2.03
10B-3	15.875	10.16	9.65	5.08	52.7	54.1	14.70	1.70	16.59	66.7/15159	84.5	2.77
12B-3	19.05	12.07	11.68	5.72	61.5	63.1	16.00	1.85	19.46	86.7/19705	101.8	3.46
16B-3	25.4	15.88	17.02	8.28	99.8	101.2	21.00	4.15/3.1	31.88	160.0/36364	203.7	8.13
20B-3	31.75	19.05	19.56	10.19	114.2	117.9	26.40	4.5/3.5	36.45	250.0/56818	290.0	10.82
24B-3	38.1	25.40	25.40	14.63	150.1	154.6	33.20	6.0/4.8	48.36	425.0/96591	493.0	20.10
28B-3	44.45	27.94	30.99	15.90	184.2	188.7	36.70	7.5/6.0	59.56	530.0/120454	609.5	24.92
32B-3	50.8	29.21	30.99	17.81	183.2	188.2	42.00	7.0/6.0	58.55	670.0/152273	770.5	31.56
40B-3	63.5	39.37	38.10	22.89	226.8	233.8	52.96	8.5/8.0	72.29	950.0/215909	1092.5	48.10
48B-3	76.2	48.26	45.72	29.24	281.6	289.4	63.80	12.0/10.0	91.21	1500.0/340909	1710.0	75.00
56B-3	88.9	53.98	53.34	34.32	327.8	336.2	77.80	13.5/12.0	106.60	2240.0/545450	2240.0	107.18
64B-3	101.6	63.50	60.96	39.40	369.8	378.3	90.17	15.0/13.0	119.89	3000.0/681820	3300.0	136.00
72B-3	114.3	72.39	68.58	44.48	420.0	429.0	103.60	17.0/15.0	136.27	3750.0/852270	4125.0	180.00

* Straight side plates.

Heavy duty series precision roller chains

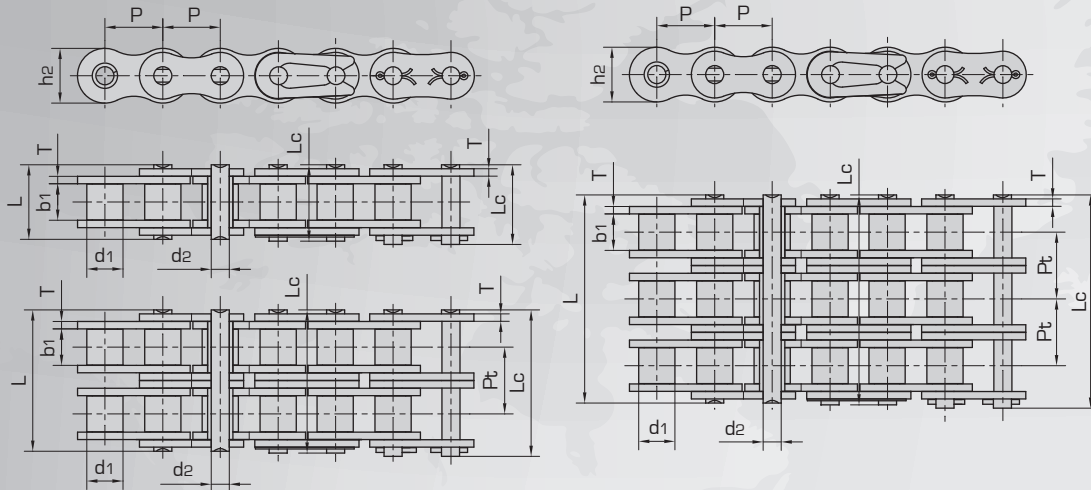


Donghua Chain No.	Pitch	Roller diameter	Width between inner plates	Pin diameter	Pin length		Inner plate depth	Plate thickness	Ultimate tensile strength	Weight per meter
	P	d1 max	b1 min	d2 max	L max	Lc max	h2 max	T max	Q min	q
	mm	mm	mm	mm	mm	mm	mm	mm	kN/LB	kg/m
04BH	6.0	4.00	2.80	1.85	8.4	9.4	5.0	0.90	5.0/1136	0.14
*06BH	9.525	6.35	5.72	3.58	14.4	15.4	8.2	1.60	11.25/2557	0.51
08BH	12.7	8.51	7.85	4.45	18.8	19.9	11.8	2.03	20.6/4682	0.79
10BH	15.875	10.16	9.65	5.08	20.2	21.6	14.7	1.85	25.0/5681	1.03
12BH	19.05	12.07	11.68	5.94	25.2	26.8	16.0	2.42	40.0/9091	1.45
12BV	19.05	12.07	11.68	6.10	24.5	26.5	16.0	2.42	36.00/8182	1.43
12BHF1(HV)	19.05	12.07	11.68	6.10	25.0	27.2	16.5	2.5	44.0/10000	1.46
12BHF2	19.05	12.07	13.50	5.72	28.8	30.3	16.5	2.80	35.0/7954	1.71
16BH	25.4	15.88	17.02	8.90	35.7	38.9	24.1	4.0/3.1	80.0/18182	3.11
24BH	38.1	25.40	25.40	14.63	58.6	63.4	36.2	7.5/6.0	225.0/51136	9.00
24BHF2	38.1	25.40	25.40	14.63	57.8	62.2	37.0	7.2/6.0	225.4/51227	9.10

* Straight side plates.

Heavy duty series precision roller chains

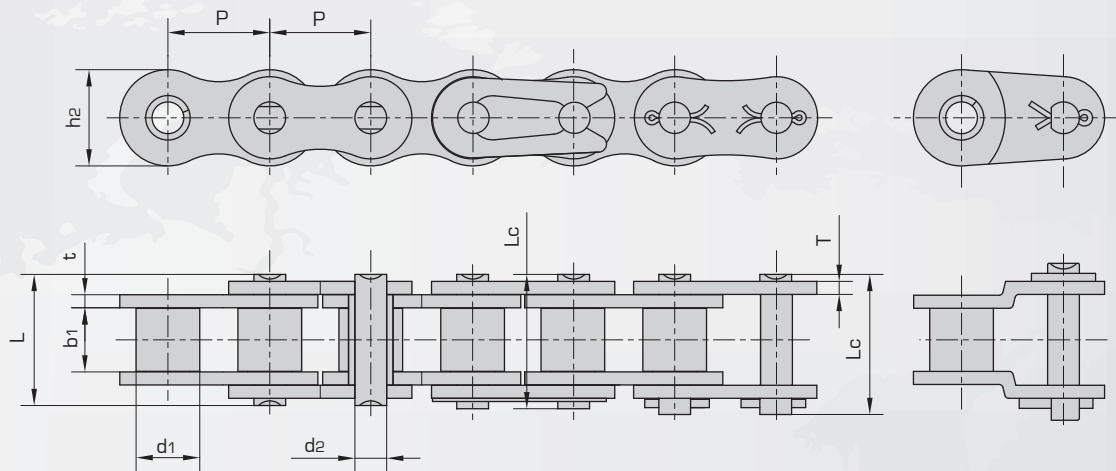
Acc. to ANSI B29.1



DIN/ISO Chain No.	ANSI Chain No.	Pitch	Roller diameter	Width between inner plates	Pin diameter	Pin length		Inner plate depth	Plate thickness	Transverse pitch	Ultimate tensile strength	Average tensile strength	Weight per meter
		P	d1 max	b1 min	d2 max	L max	Lc max	h2 max	T max	Pt	Q min	Qo	q
		mm	mm	mm	mm	mm	mm	mm	mm	mm	kN/LB	kN	kg/m
	*35H-1	9.525	5.08	4.77	3.58	13.3	14.3	9.00	1.50	-	7.9/1795	10.8	0.41
08AH-1	40H-1	12.7	7.95	7.85	3.96	18.8	19.9	12.00	2.03	-	14.1/3205	19.1	0.82
10AH-1	50H-1	15.875	10.16	9.40	5.08	22.1	23.4	15.09	2.42	-	22.2/5045	30.2	1.25
12AH-1	60H-1	19.05	11.91	12.57	5.94	29.2	31.0	18.00	3.25	-	31.8/7227	42.7	1.87
16AH-1	80H-1	25.4	15.88	15.75	7.92	36.2	37.7	24.00	4.00	-	56.7/12886	71.4	3.10
20AH-1	100H-1	31.75	19.05	18.90	9.53	43.6	46.9	30.00	4.80	-	88.5/20114	112.4	4.52
24AH-1	120H-1	38.1	22.23	25.22	11.10	53.5	57.5	35.70	5.60	-	127.0/28864	160.9	6.60
28AH-1	140H-1	44.45	25.40	25.22	12.70	57.6	62.2	41.00	6.40	-	172.4/39182	217.3	8.30
32AH-1	160H-1	50.8	28.58	31.55	14.27	68.2	73.0	47.80	7.20	-	226.8/51545	285.8	10.30
36AH-1	180H-1	57.15	35.71	35.48	17.46	75.9	81.6	53.60	8.00	-	281.0/63863	341.8	14.83
40AH-1	200H-1	63.5	39.68	37.85	19.85	86.6	93.5	60.00	9.50	-	353.8/80409	444.5	19.16
48AH-1	240H-1	76.2	47.63	47.35	23.81	109.6	115.9	72.30	12.70	-	510.3/115977	622.5	30.40
12AH-2	60H-2	19.05	11.91	12.57	5.94	55.3	57.1	18.00	3.25	26.11	63.6/14455	84.5	3.71
16AH-2	80H-2	25.4	15.88	15.75	7.92	68.8	70.3	24.00	4.00	32.59	113.4/25773	145.3	6.15
20AH-2	100H-2	31.75	19.05	18.90	9.53	82.7	86.0	30.00	4.80	39.09	177.0/40227	225.9	9.03
24AH-2	120H-2	38.1	22.23	25.22	11.10	102.40	106.4	35.70	5.60	48.87	254.0/57727	322.7	13.13
28AH-2	140H-2	44.45	25.40	25.22	12.70	109.80	114.4	41.00	6.40	52.20	344.8/78364	437.7	16.60
32AH-2	160H-2	50.8	28.58	31.55	14.27	130.10	134.9	47.80	7.20	61.90	453.6/103091	571.6	20.20
40AH-2	200H-2	63.5	39.68	37.85	19.85	164.90	171.8	60.00	9.50	78.31	707.6/160818	894.9	38.11
12AH-3	60H-3	19.05	11.91	12.57	5.94	81.40	83.2	18.00	3.25	26.11	95.4/21682	113.9	5.54
16AH-3	80H-3	25.4	15.88	15.75	7.92	101.40	102.9	24.00	4.00	32.59	170.1/38659	203.5	9.42
20AH-3	100H-3	31.75	19.05	18.90	9.53	121.80	125.1	30.00	4.80	39.09	265.5/60341	314.8	12.96
24AH-3	120H-3	38.1	22.23	25.22	11.10	151.20	155.2	35.70	5.60	48.87	381.0/86591	444.7	19.64
28AH-3	140H-3	44.45	25.40	25.22	12.70	162.00	166.6	41.00	6.40	52.20	517.2/117545	598.4	24.90
32AH-3	160H-3	50.8	28.58	31.55	14.27	192.00	196.8	47.80	7.20	61.90	680.4/154636	787.3	30.10
40AH-3	200H-3	63.5	39.68	37.85	19.85	243.20	250.1	60.00	9.50	78.31	1061.4/241227	1228.2	57.06

* Bushing chain: d1 in the table indicate the external diameter of the bushing.

SH series high strength Heavy duty short pitch roller chains



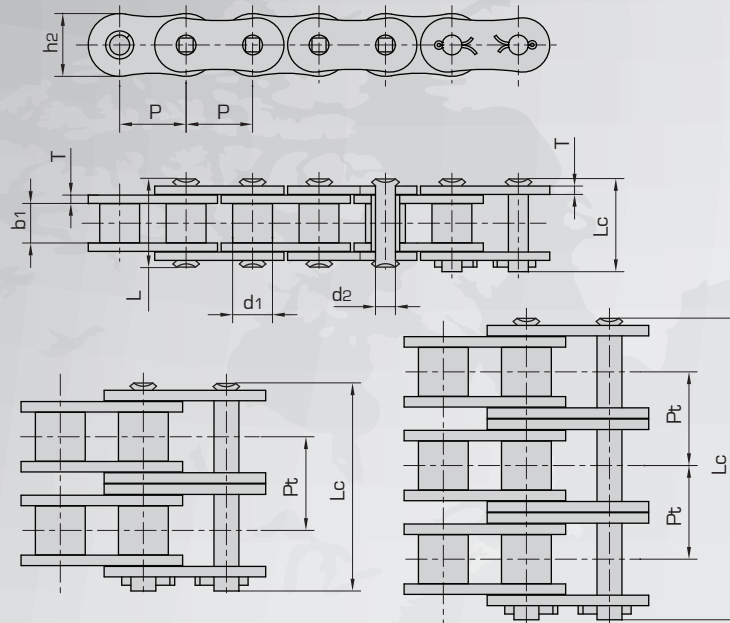
Donghua Chain No.	Pitch	Roller diameter	Width between inner plates	Pin diameter	Pin length		Inner plate depth	Plate thickness	Ultimate tensile strength	Average tensile strength	Weight per meter
	P	d1 max	b1 min	d2 max	L max	Lc max	h2 max	T max	Q min	Q0	q
	mm	mm	mm	mm	mm	mm	mm	mm	kN/LB	kN	kg/m
*25SH	6.35	3.30	3.18	2.31	9.0	-	6.00	1.04	5.09/1157	5.6	0.11
*35SH	9.525	5.08	4.77	3.58	13.3	14.3	9.00	1.50	11.0/2500	13.6	0.41
40SH	12.7	7.95	7.85	3.96	18.8	19.9	12.00	2.03	22.4/5091	24.8	0.82
50SH	15.875	10.16	9.40	5.08	22.1	23.4	15.09	2.42	30.4/6909	36.2	1.25
60SH	19.05	11.91	12.57	5.94	29.2	31.6	18.00	3.25	44.1/10023	50.4	1.87
80SH	25.4	15.88	15.75	7.92	36.2	37.7	24.00	4.00	88.2/20045	93.0	3.10
100SH	31.75	19.05	18.90	9.53	43.6	46.9	30.00	4.80	116.6/26500	129.1	4.52
120SH	38.1	22.23	25.22	11.10	53.5	57.5	35.70	5.60	158.2/35954	175.3	6.60
140SH	44.45	25.40	25.22	12.70	57.6	62.2	41.00	6.40	206.0/46818	266.5	8.30
160SH	50.8	28.58	31.55	14.27	68.2	73.0	47.80	7.20	274.0/62273	293.0	10.30
200SH	63.5	39.68	37.85	19.85	86.6	93.5	60.00	9.50	506.1/115023	562.3	19.16
#5H63	19.05	14.29	9.55	7.30	27.9	-	19.60	4.15/3.25	65.7/14932	73.0	2.62
#C70SH	22.225	15.60	14.30	7.94	36.6	-	22.60	4.8/4.0	88.25/20056	98.0	3.75
955	28.575	21.30	17.46	11.10	46.8	-	30.60	6.4/5.6	142.1/35635	156.8	7.95

* Bushing chain: d1 in the table indicate the external diameter of the bushing

Straight side plates

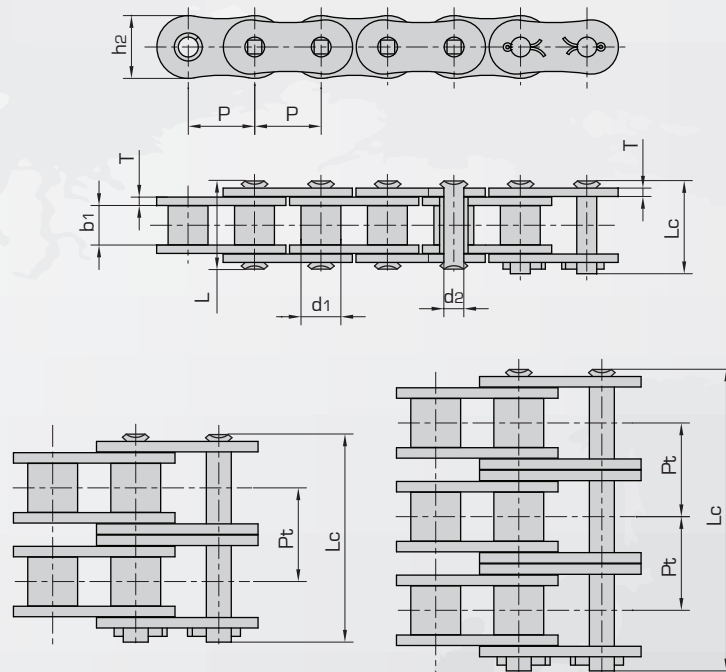
SH series roller chains have a greater ultimate tensile strength [about an additional 25%-35%] over ANSI standard roller chains by using through hardened pins, these chains also provide a greater shock load resistance. The dimensions of the chain are identical to ANSI heavy series standard roller chains.

SP series high strength Short pitch roller chains



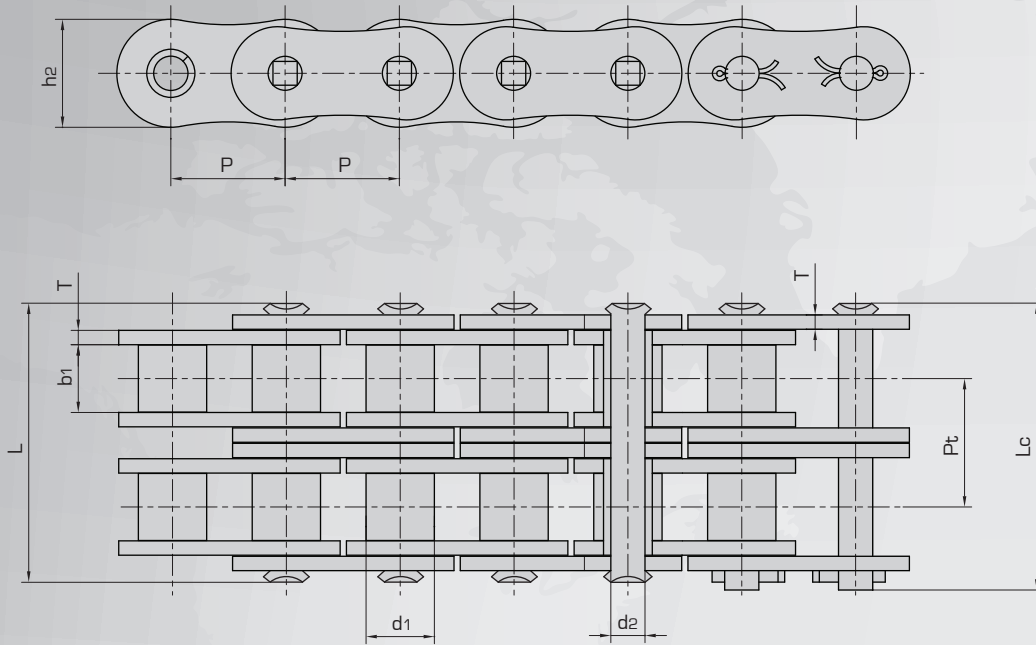
DIN/ISO Chain No.	Pitch	Roller diameter	Width between inner plates	Pin diameter	Pin length		Inner plate depth	Plate thickness	Transverse pitch	Ultimate tensile strength	Average tensile strength	Weight per meter
	P	d1 max	b1 min	d2 max	L max	Lc max	h2 max	T max	Pt	Q min	Q0	q
	mm	mm	mm	mm	mm	mm	mm	mm	mm	kN/LB	kN	kg/m
80SP-1	25.4	15.88	15.75	7.94	32.7	36.5	24.1	3.2	-	77.5/17434	85.3	2.86
100SP-1	31.75	19.05	18.95	9.54	40.4	44.7	30.1	4.0	-	115.5/25982	127.0	4.21
120SP-1	38.1	22.23	25.22	11.11	50.3	54.3	36.2	4.8	-	165.0/37118	186.0	6.36
140SP-1	44.45	25.40	25.22	12.71	54.4	59.0	42.2	5.6	-	222.7/50098	245.0	8.04
160SP-1	50.80	28.58	31.55	14.29	64.8	69.6	48.2	6.4	-	285.5/64215	314.0	10.80
200SP-1	63.50	39.68	37.85	19.85	80.3	87.2	60.3	8.0	-	445.5/100208	490.0	18.00
80SP-2	25.4	15.88	15.75	7.94	62.7	65.8	24.1	3.2	29.29	155.0/34868	170.6	5.68
100SP-2	31.75	19.05	18.95	9.54	76.4	80.5	30.1	4.0	35.76	231.0/51965	255.0	8.34
120SP-2	38.1	22.23	25.22	11.11	95.8	99.7	36.2	4.8	45.34	339.0/76260	373.0	12.63
140SP-2	44.45	25.40	25.22	12.71	103.3	107.9	42.2	5.6	48.87	445.5/100218	490.0	15.92
160SP-2	50.8	28.58	31.55	14.29	123.3	128.1	48.2	6.4	58.55	571.0/128430	628.0	21.43
200SP-2	63.5	39.68	37.85	19.85	151.9	158.8	60.3	8.0	71.55	892.0/200621	981.0	35.00
80SP-3	25.4	15.88	15.75	7.94	91.7	95.1	24.1	3.2	29.29	232.5/52302	255.9	8.18
100SP-3	31.75	19.05	18.95	9.54	112.2	116.3	30.1	4.0	35.76	347.3/78128	382.0	12.47
120SP-3	38.1	22.23	25.22	11.11	141.4	145.2	36.2	4.8	45.44	508.0/114278	559.0	18.90
140SP-3	44.45	25.40	25.22	12.71	152.2	156.8	42.2	5.6	48.87	688.0/150271	735.0	23.84
160SP-3	50.8	28.58	31.55	14.29	181.8	186.6	48.2	6.4	58.55	855.5/192441	941.0	32.10
200SP-3	63.5	39.68	37.85	19.85	223.5	230.4	60.3	8.0	71.55	1336.4/300633	1470.0	52.50

HSP series high strength Heavy duty short pitch roller chains



DIN/ISO Chain No.	Pitch	Roller diameter	Width between inner plates	Pin diameter	Pin length		Inner plate depth	Plate thickness	Transverse pitch	Ultimate tensile strength	Average tensile strength	Weight per meter
	P	d_1 max	b_1 min	d_2 max	L max	L_c max	h_2 max	T max	P_t	Q min	Q_0	q
	mm	mm	mm	mm	mm	mm	mm	mm	mm	kN/LB	kN	kg/m
80HSP-1	25.4	15.88	15.75	7.94	36.2	38.9	24.1	4.0	-	89.2/20066	98.1	3.36
100HSP-1	31.75	19.05	18.95	9.54	43.6	46.9	30.1	4.8	-	131.8/29649	145.0	4.90
120HSP-1	38.1	22.23	25.22	11.11	53.5	57.5	36.2	5.6	-	176.0/39592	196.0	7.12
140HSP-1	44.45	25.40	25.22	12.71	57.6	62.2	42.2	6.4	-	231.9/52149	255.0	8.88
160HSP-1	50.8	28.58	31.55	14.29	68.2	73.0	48.2	7.2	-	294.5/66260	324.0	11.72
200HSP-1	63.5	39.68	37.85	19.85	86.6	93.5	60.3	9.5	-	543.6/122295	598.0	19.80
80HSP-2	25.4	15.88	15.75	7.94	68.8	72.0	24.1	4.0	32.59	178.4/40132	196.2	6.65
100HSP-2	31.75	19.05	18.95	9.54	82.7	86.0	30.1	4.8	39.09	263.6/59299	290.0	9.71
120HSP-2	38.1	22.23	25.22	11.11	102.4	106.4	36.2	5.6	48.87	356.4/80175	392.0	14.12
140HSP-2	44.45	25.40	25.22	12.71	109.8	114.4	42.2	6.4	52.20	463.6/104300	510.0	17.38
160HSP-2	50.8	28.58	31.55	14.29	130.1	134.9	48.2	7.2	61.90	588.0/132275	647.0	23.00
200HSP-2	63.5	39.68	37.85	19.85	164.9	171.8	60.3	9.5	78.31	1091.0/245429	1200.0	38.50
80HSP-3	25.4	15.88	15.75	7.94	101.4	104.6	24.1	4.0	32.59	267.6/60200	294.3	9.95
100HSP-3	31.75	19.05	18.95	9.54	121.8	125.1	30.1	4.8	39.09	395.4/88948	435.0	14.53
120HSP-3	38.1	22.23	25.22	11.11	151.2	155.2	36.2	5.6	48.87	534.5/120250	588.0	21.12
140HSP-3	44.45	25.40	25.22	12.71	162.0	166.6	42.2	6.4	52.20	696.5/156448	765.0	25.88
160HSP-3	50.8	28.58	31.55	14.29	192.0	196.8	48.2	7.2	61.90	882.7/198576	971.0	34.22
200HSP-3	63.5	39.68	37.85	19.85	243.2	250.1	60.3	9.5	78.31	1627.3/366073	1790.0	57.29

SPE & HSPE series high strength Heavy short pitch roller chains



DIN/ISO Chain No.	Pitch	Roller diameter	Width between inner plates	Pin diameter	Pin length		Inner plate depth	Plate thickness	Transverse pitch	Ultimate tensile strength	Average tensile strength	Weight per meter
	P	d1 max	b1 min	d2 max	L max	Lc max	h2 max	T max	Pt	Q min	Q0	q
	mm	mm	mm	mm	mm	mm	mm	mm	mm	kN/LB	kN	kg/m
80SPE-2	25.4	15.88	15.75	7.94	62.7	65.8	24.1	3.2	29.29	155.0/34868	170.6	5.68
100SPE-2	31.75	19.05	18.95	9.54	76.4	80.5	30.1	4.0	35.76	231.0/51965	255.0	8.34
120SPE-2	38.1	22.23	25.22	11.11	95.8	99.7	36.2	4.8	45.44	339.0/76260	373.0	12.63
140SPE-2	44.45	25.40	25.22	12.71	103.3	107.9	42.2	5.6	48.87	445.5/100218	490.0	15.92
160SPE-2	50.8	28.58	31.55	14.29	123.3	128.1	48.2	6.4	58.55	571.0/128430	628.0	21.43
200SPE-2	63.5	39.68	37.85	19.85	151.9	158.8	60.3	8.0	71.55	892.0/200621	981.0	35.00
80HSPE-2	25.4	15.88	15.75	7.94	68.8	72.0	24.1	4.0	32.59	178.4/40132	196.2	6.65
100HSPE-2	31.75	19.05	18.95	9.54	82.7	86.0	30.1	4.8	39.09	263.3/59299	290.0	9.72
120HSPE-2	38.1	22.23	25.22	11.11	102.4	106.4	36.2	5.6	48.87	356.4/80175	392.0	14.12
140HSPE-2	44.45	25.40	25.22	12.71	109.8	114.4	42.2	6.4	52.20	463.6/104300	510.0	17.38
160HSPE-2	50.8	28.58	31.55	14.29	130.1	134.9	48.2	7.2	61.90	588.0/132275	647.0	23.00
200HSPE-2	63.5	39.68	37.85	19.85	164.9	171.8	60.3	9.5	78.31	1091.0/245429	1200.0	38.50

Note: central plates are press fit assembly.



Donghua subsidiaries and sales offices



Hangzhou Donghua Chain Group Co., Ltd.
218 Jichang Road, Hangzhou 310021, China
Phone: +86 571 85144575 / 85144947
Fax: +86 571 85042767
hdl@dhchain.com
www.dhchain.com

Donghua International BV
Toermalijnstraat 6B
1812 RL Alkmaar, The Netherlands
Phone: +31 72 8200 120
Fax: +31 72 540 1996
info@donghua.eu
www.donghua.eu

Donghua USA Inc.
530 Tower Boulevard
Carol Stream, Illinois 60189, USA
Phone: +1 630 682 3058
Fax: +1 630 682 3096
info@dhchain.us
www.dhchain.us

Donghua Industries Europe GmbH
Fixheider Straße 14
51381 Leverkusen, Germany
Phone: +49 2171 39448-0
Fax: +49 2171 39448-60
info@donghua-europe.com
www.donghua-europe.com

Donghua Ltd.
Unit 1, Bentley Bridge Business Park, Wednesfield Way
Wednesfield, West Midlands, WV11 3SQ, United Kingdom
Phone: Bob Wellsbury +44 77 6950 2200
sales@donghua.co.uk
www.donghua.co.uk

Donghua Hungary Kft.
Gyár u. 2., 2040 Budaörs, Hungary
Phone +36 23 428 777
Fax: +36 23 428 778
info@donghua.hu
www.donghua.hu

Donghua Transmission Co.,Ltd.
202 Ratchadapisek Road
Room 1009,10th FL, Le Concorde Tower
Huay Kwang, Bangkok 10320, Thailand
lijie@dhchain.com
www.dhchain.com

Sales office Donghua Italy
Mrs. Anja Naumann
Phone: +49 211 695 6547
a.naumann@donghua.eu
www.donghua.eu

Sales office Donghua Scandinavia
Mr. Stig Oxholm
Phone: +45 30 313 898
s.oxholm@donghua.eu
www.donghua.eu





Overveld Techniek

Edisonweg 5
4631 SN Hoogerheide
0164-611000
techniek@overveld.com
www.overveldtechniek.com

